

General Safety Information

- LiCS products must be installed and commissioned only by authorized trained staff.
- To ensure safe and correct handling of the equipment, please read these instructions with care prior to installation and commissioning.
- The devices must be in a voltage-free state before any work is carried out on them.
- All applicable safety and accident-prevention instructions must be observed.
- The products must never be inexpertly opened since this poses a lethal danger due to electrical voltage. Repairs must only be carried out by the manufacturer.
- On no account may mains voltage or voltage from any other source be applied to the DALI control line since this can result in individual system components being destroyed.

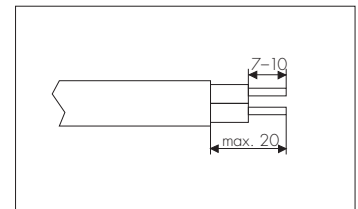


Mounting

- Independent installation
- Surface: solid, device must not be able to sink into insulation
- Attachment: using 4-mm screws

Installation Notes

- Conductor cross-section for all screw terminals: 0.75 mm² – 2.5 mm²
- Lead preparation (see right)
- Screw terminals: max. torque = 0.4 Nm
- The device must be installed in such a way as to ensure users do not have direct access to the area of the mains power supply terminal.
- In its standard version, the DALI bus features only basic insulation. All DALI leads must therefore be suitable for mains voltage.
- The maximum permissible current is 4 A per channel.
- The maximum current consumption on the DALI bus is 8 mA. This needs to be considered by calculating the maximum amount of DALI relais per DALI bus.
- The DALI bus line can be laid alongside the power supply line in a single cable, up to a maximum length of 100m, e.g. with NYM 5 x 1,5 mm².



Configuration

- There is no need to configure the DALI Relais 2CH before use. At factory settings the operation mode 0 "1-channel switch" is preset.
- Configuration options by use of the Light Controller IP software:

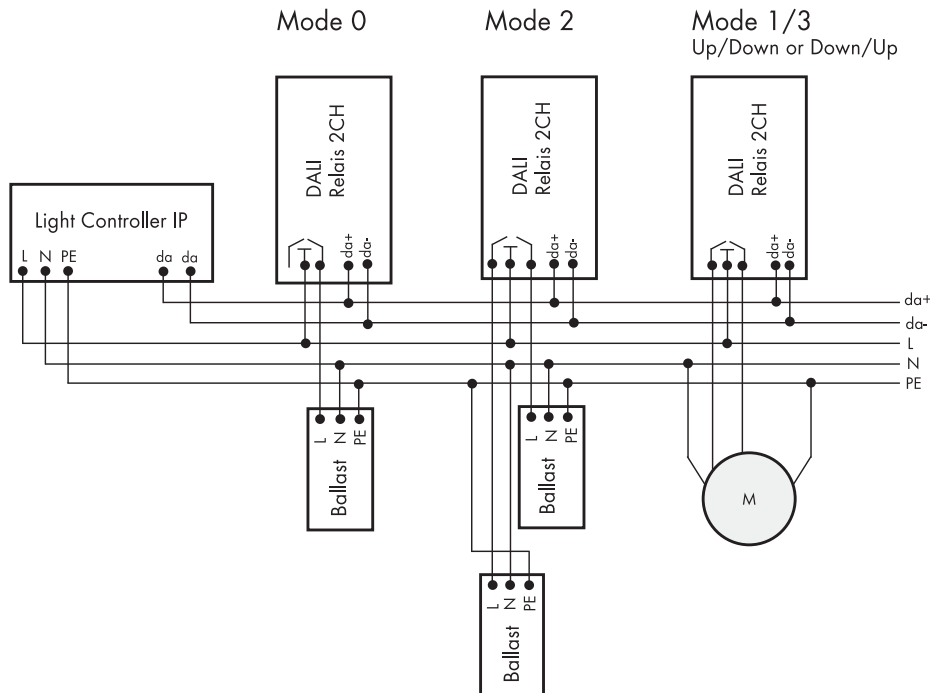
Operation mode		To be used with Light Controller series:		
No.	Description	LiCS System	LightController IP	LightController IPW
0	1-channel switch	Yes	Yes	Yes
1	Jalousie (Up/Down)	No	Yes	Yes (not with EnOcean Gateway)
2	2- channel switch	No	Yes	Yes (not with EnOcean Gateway)
3	Jalousie (Down/Up)	No	Yes	Yes (not with EnOcean Gateway)

- Further Steps for Commissioning can be found below at "Software".

Further Information

- The outputs of various DALI Relais 2CH must not be connected to one another.
- In case of missing power supply from the DALI Bus, the relay will remain in the last state. A system failure level is not available.
- To ensure safe operation of the DALI Relais 2CH, the maximum permissible casing temperature at measuring point (t_c) must not be exceeded.
- Please refer to the respective manual at www.vossloh-schwabe.com for exact system configuration instructions in combination with the respective Light Controller.

Circuit diagramm DALI Relais 2CH



Device	DALI Relais 2CH 186561
Control input	DALI according to IEC 62386
Power consumption from DALI	Max. 8 mA
Ambient temperature t_a	5 to 50 °C
Switching capacity AC max.	4 A / 250 V (1600 W)
Switching capacity DC max.	4 A / 24 V (120 W)
Switching frequency	Max. 3 s
Degree of protection	IP20
Protection class	II
Weight	49.3 g
CE requirements	EMV according to EN 55015, Safety according to EN 61347-2-11

■ SOFTWARE IN OPERATION MODE 0 "1-channel switch"

Initial operation

Connect the DALI Relais 2CH to relay output and DALI lines according to the connection scheme. Take care of safety instructions and precautions as described above.

Functional description

For setup and operation a VS Light Controller from LiCS series is required. By use of the DALI Relais 2CH non-dimmable luminaires (or similar load) can be integrated into a light management system from Vossloh-Schwabe. The relay will be displayed in the configuration menu of the Light Controller like a luminaire (one DALI address).

For detailed description of the system configuration in combination with a Light Controller please refer to the respective manual, available at www.vossloh-schwabe.com

■ SOFTWARE IN OPERATION MODE 1 RESP. 3 "JALOUSIE (UP/DOWN) RESP. (DOWN/UP)"

Initial operation

Connect the DALI Relais 2CH to relay output and DALI lines according to the connection scheme. Take care of safety instructions and precautions as described above.

Functional description

For setup and operation of DALI Relais 2CH in operation mode "Jalousie", a Light Controller IP (186484/186485 or 186339/186340, not included in the delivery) as well as the software for the Light Controller IP (download from product page at www.vossloh-schwabe.com) are the minimum requirements.

1. For information to set up the network, please refer to the manual of the Light Controller IP, available on product page at www.vossloh-schwabe.com.
 2. All connected DALI Relais 2CH on the DALI bus will be set up during the automatic search procedure.
- Now all available DALI Relais 2CH are displayed in the software

Quick Start Guide DALI Relais 2CH

of the Light Controller IP. In case of wrong machine direction of the jalousie, the operating mode can be adapted between operation mode 1 and 3. There is no need for a re-wiring.

Ballast Config

Kanal: GW1_Ch1 Lum: 134 Dali Addr: 0 Device: DALI Relay 2ch

DALI Relay 2ch

Modus:

Laufzeit:

3. The device is now ready to use and in function. For the next steps, please refer to the manual of the software, available under www.vossloh-schwabe.com.

In case of any problem to bring up the device or for further support, please do not hesitate to contact our team by E-Mail or phone call.

■ SOFTWARE IN OPERATION MODE 2 "2-channel switch"

Initial operation

Connect the DALI Relais 2CH to relay output and DALI lines according to the connection scheme. Take care of safety instructions and precautions as described above.

Functional description

For setup and operation of DALI Relais 2CH in operation mode "2-channel switch", a Light Controller IP (186484/186485 or 186339/186340, not included in the delivery) as well as the software for the Light Controller IP (download from product page at www.vossloh-schwabe.com) are the minimum requirements. By use of the DALI Relais 2CH two groups of non-dimmable luminaires (or similar load) can be integrated into a light management system from Vossloh-Schwabe.

1. For information to set up the network, please refer to the manual of the Light Controller IP, available on product page at www.vossloh-schwabe.com.
2. All connected DALI Relais 2CH on the DALI bus will be set up during the automatic search procedure.
3. Every channel will be displayed in the configuration menu of the Light Controller like two luminaires (two DALI addresses).
4. The device is now ready to use and in function. For the next steps, please refer to the manual of the software, available under www.vossloh-schwabe.com.

In case of any problem to bring up the device or for further support, please do not hesitate to contact our team by E-Mail or phone call.