

LEDSPOTS CC

EVOLVE 111 LUGA GEN. 7

NEXT 111 LUGA GEN. 7



EVOLVE 111 LUGA GEN. 7

NEXT 111 LUGA GEN. 7

Improvement of performances with more optical possibilities

Your NEXT 111 has been substantially improved to maximise performance and simplify installation. The Evolve 111 is the next generation of AR111 engine with optics.

Evolve 111 / NEXT 111

- Replacement for HID lamps 20–150 W
- Built-in spot with heat sink based on LUGA modules

Typical applications

Integration in luminaires

- Retail lighting
- Hospitality lighting
- Museum lighting
- Residential lighting

Evolve 111 / NEXT 111

- **MODULAR SYSTEM: ENGINE + OPTICS**
- **NARROW COLOUR TOLERANCES:
2 STEP MACADAM**
- **FOUR DIFFERENT BEAM ANGLES**
- **COLOUR RENDERING INDEX: CRI 85
(CRI 95, PEARL WHITE, CLEAR WHITE
AND FOOD ON REQUEST)**
- **LUMINOUS FLUX UP TO 3800 LM**

Evolve 111 LUGA Gen. 7

Technical notes

Dimensions (ØxH)

S126: Ø111x41.8 mm (heat sink: 20 mm)

S120: Ø111x61.8 mm (heat sink: 40 mm)

Optics: PC, interchangeable

Heat sink material: aluminium

Lumen maintenance: L90/B10; 50,000 hrs.

70 °C (S126) or 75 °C (S120) at t_p point

Colour accuracy initially: 2 SDCM

Use of external LED constant-current drivers

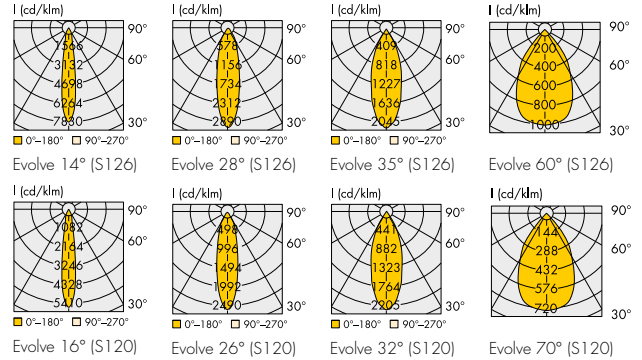
The ceramic PCB ensures optimum thermal management

Leads: Cu tinned, stranded conductors AWG22,

FEP-insulation and PVC sleeve, length: 600 mm

With integrated cord grip

Packaging unit: 12 pcs.

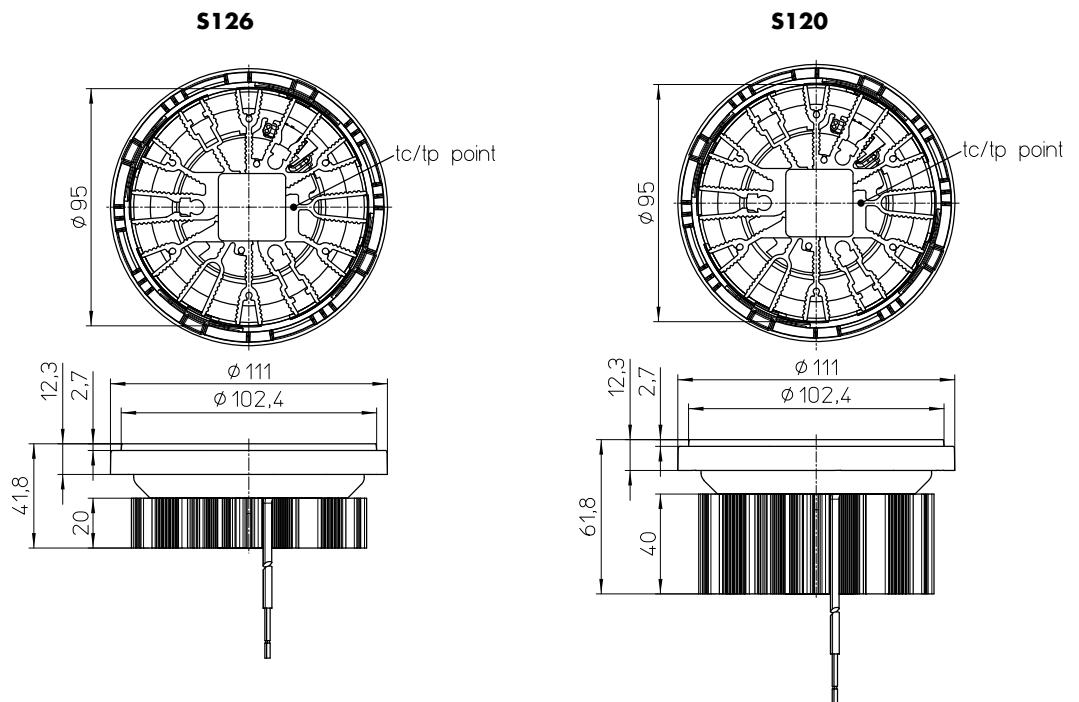


Maximum ratings

Exceeding the maximum ratings can lead to reduction of service life or destruction of the modules.

Type	Ambient temperature range (t_a)		Operation temperature range at t_c point		Storage temperature range		Max. allowed repetitive peak current mA
	°C min.	°C max.	°C min.	°C max.	°C min.	°C max.	
S126	-25	+45	-25	+90	-40	+90	1200
S120	-25	+45	-25	+90	-40	+90	2000

Temperatures depend on installation situation and has to be checked by the luminaire manufacturer.



The values contained in this data sheet can change due to technical innovations. Any such changes will be made without separate notification.

LED Engines Evolve 111 LUGA Gen. 7

Optical characteristics

at $t_p = 65\text{ °C}$

Type	Ref. No.		Colour	Correlated colour temperature K	Typ. luminous flux and typical voltage ($U_{typ.}$) and power consumption (P_{el})*				CRI
	for black LEDSpots	white LEDSpots			350 mA		500 mA		
					lm	lm/W	lm	lm/W	
Type S126					$P_{el} = 11.7\text{ W}$		$P_{el} = 17.1\text{ W}$		
Heat sink height = 20 mm					$V_f = 33.3\text{ V}$		$V_f = 34.2\text{ V}$		
E.Evolve 111 S126W	568997	568999	warm white	3000	1990	170	2730	160	85
E.Evolve 111 S126W	568998	569000	neutral white	4000	2050	175	2820	165	85

* Production tolerance of luminous flux, voltage and power consumption: $\pm 10\%$
Versions with other colour temperature, CRI 95 or pearl white on request

Optical characteristics

at $t_p = 65\text{ °C}$

Type	Ref. No.		Colour	Correlated colour temperature K	Typ. luminous flux and typical voltage ($U_{typ.}$) and power consumption (P_{el})*						CRI
	for black LEDSpots	white LEDSpots			600 mA		700 mA		800 mA		
					lm	lm/W	lm	lm/W	lm	lm/W	
Type S120					$P_{el} = 20\text{ W}$		$P_{el} = 23.6\text{ W}$		$P_{el} = 27.3\text{ W}$		
Heat sink height = 40 mm					$V_f = 33.3\text{ V}$		$V_f = 33.7\text{ V}$		$V_f = 34.1\text{ V}$		
E.Evolve 111 S120W	568354	568356	warm white	3000	3430	172	3930	167	4420	162	85
E.Evolve 111 S120W	568355	569001	neutral white	4000	3540	177	4060	172	4570	167	85

* Production tolerance of luminous flux, voltage and power consumption: $\pm 10\%$
Versions with other colour temperature, CRI 95 or pearl white on request

Optics for LED Engines Evolve 111

Technical notes

Diameter: 111 mm (lens: 90 mm)

Material: PC, metallized

Operating temperature: -25 to 90 °C

Storage temperature: -40 to 90 °C

Packaging units: 24 pcs.

Ref. No.	Beam characteristics	Beam angle (°)	
		S126	S120
603411	narrow	14	16
603412	medium	28	26
603413	wide	35	32
604983	extra wide	60	70

The values contained in this data sheet can change due to technical innovations. Any such changes will be made without separate notification.

Evolve 111 LUGA Gen. 7

Optical characteristics

at $t_p = 65^\circ\text{C}$

Type	Ref. No.		Colour	Correlated colour temperature K	Typ. luminous flux and typical voltage ($U_{typ.}$) and power consumption (P_{el})*				Light intensity at max. current Candela	Beam angle °	CRI R_a	Energy efficiency at max. current
	for black LEDSpots	white LEDSpots			350 mA lm	lm/W	500 mA lm	lm/W				
Type S126					$P_{el} = 11.7\text{ W}$		$P_{el} = 17.1\text{ W}$					
Heat sink height = 20 mm					$V_f = 33.3\text{ V}$		$V_f = 34.2\text{ V}$					
Evolve 111 S126W	568973	568979	warm white	3000	1590	136	2180	127	17000	14°	85	A++
Evolve 111 S126W	568976	568982	neutral white	4000	1640	140	2250	132	17650	14°	85	A++
Evolve 111 S126W	568974	568980	warm white	3000	1610	138	2210	129	6350	28°	85	A++
Evolve 111 S126W	568977	568983	neutral white	4000	1660	142	2280	133	6600	28°	85	A++
Evolve 111 S126W	568975	568981	warm white	3000	1650	141	2265	132	4600	35°	85	A++
Evolve 111 S126W	568978	568984	neutral white	4000	1700	145	2340	137	4800	35°	85	A++
Evolve 111 S126W	569427	569429	warm white	3000	1610	138	2210	129	2280	60°	85	A++
Evolve 111 S126W	569428	569430	neutral white	4000	1660	142	2280	133	2350	60°	85	A++

* Production tolerance of luminous flux, voltage and power consumption: $\pm 10\%$
Versions with other colour temperature, CRI 95 or pearl white on request

Optical characteristics

at $t_p = 65^\circ\text{C}$

Type	Ref. No.		Colour	Correlated colour temperature K	Typ. luminous flux and typical voltage ($U_{typ.}$) and power consumption (P_{el})*						Light intensity at max. current Candela	Beam angle °	CRI R_a	Energy efficiency at max. current
	for black LEDSpots	white LEDSpots			600 mA lm	lm/W	700 mA lm	lm/W	800 mA lm	lm/W				
Type S120					$P_{el} = 20\text{ W}$		$P_{el} = 23.6\text{ W}$		$P_{el} = 27.3\text{ W}$					
Heat sink height = 40 mm					$V_f = 33.3\text{ V}$		$V_f = 33.7\text{ V}$		$V_f = 34.1\text{ V}$					
Evolve 111 S120W	568985	568991	warm white	3000	2700	135	3100	131	3485	128	18860	16°	85	A++
Evolve 111 S120W	568988	568994	neutral white	4000	2795	140	3200	136	3605	132	19500	16°	85	A++
Evolve 111 S120W	568986	568992	warm white	3000	2775	139	3175	135	3575	131	8900	26°	85	A++
Evolve 111 S120W	568989	568995	neutral white	4000	2865	143	3285	139	3695	135	9200	26°	85	A++
Evolve 111 S120W	568987	568993	warm white	3000	2840	142	3255	138	3660	134	8080	32°	85	A++
Evolve 111 S120W	568990	568996	neutral white	4000	2935	147	3365	143	3790	139	8350	32°	85	A++
Evolve 111 S120W	569431	569433	warm white	3000	2875	144	3295	140	3705	136	2650	70°	85	A++
Evolve 111 S120W	569432	569434	neutral white	4000	2970	149	3410	144	3835	140	2750	70°	85	A++

* Production tolerance of luminous flux, voltage and power consumption: $\pm 10\%$
Versions with other colour temperature, CRI 95 or pearl white on request

The values contained in this data sheet can change due to technical innovations. Any such changes will be made without separate notification.

NEXT 111 LUGA Gen. 7

Technical notes

Dimensions (ØxH)

S126: Ø111x59.4 mm (heat sink: 20 mm)

S120: Ø111x79.4 mm (heat sink: 40 mm)

Reflector: aluminium, bayonet fixing, interchangeable

Heat sink material: aluminium

Lumen maintenance: L90/B10; 50,000 hrs.

75 °C (S126) or 75 °C (S120) at t_p point

Colour accuracy initially: 2 SDCM

Use of external LED constant-current drivers

The ceramic PCB ensures optimum thermal management

Plastic clear cover to protect reflector

(opaque cover on request)

Fixation for reflector: front rim

for heat sink: lateral fixation with M5 screws and nuts

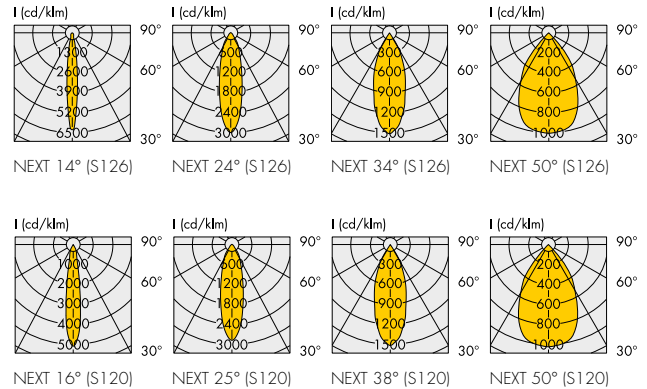
or rear side fixation with self-tapping screws ST2.9

Leads: Cu tinned, stranded conductors AWG22,

FEP-insulation and PVC sleeve, length: 600 mm

With integrated cord grip

Packaging unit: 6 pcs.

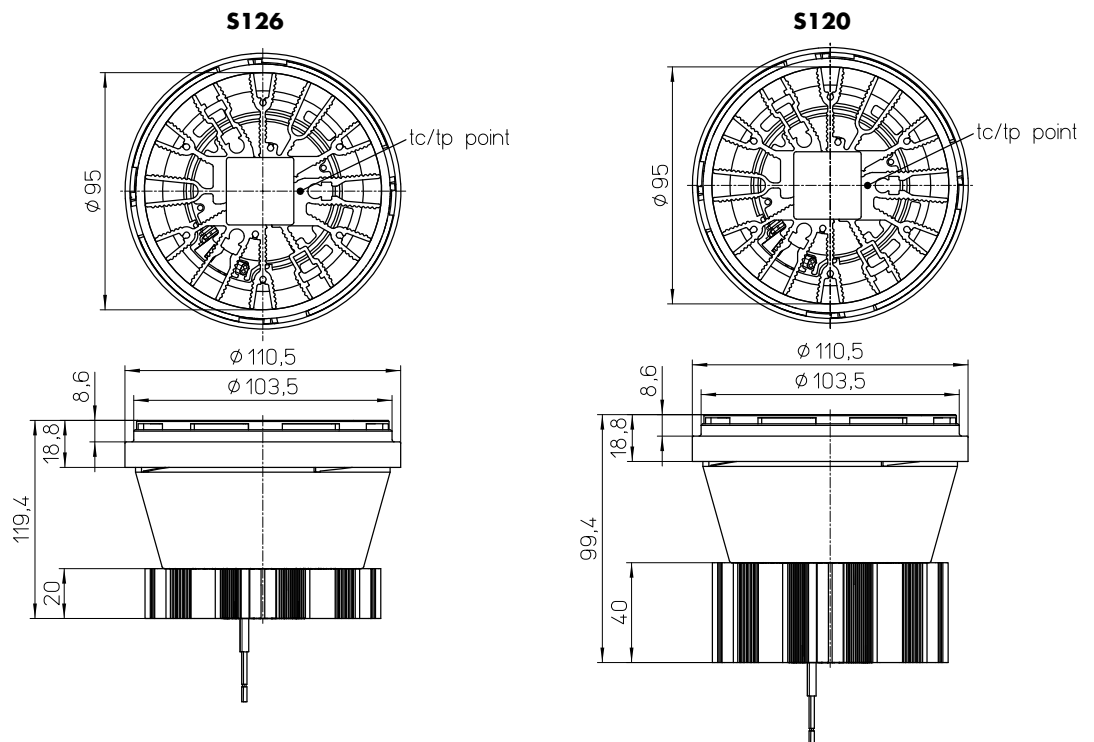


Maximum ratings

Exceeding the maximum ratings can lead to reduction of service life or destruction of the modules.

Type	Ambient temperature range (t_a)		Operation temperature range at t_c point		Storage temperature range		Max. allowed repetitive peak current mA
	°C min.	°C max.	°C min.	°C max.	°C min.	°C max.	
S126	-25	+45	-25	+90	-40	+90	1200
S120	-25	+45	-25	+90	-40	+90	2000

Temperatures depend on installation situation and has to be checked by the luminaire manufacturer.



The values contained in this data sheet can change due to technical innovations. Any such changes will be made without separate notification.

LED Engines NEXT 111 LUGA Gen. 7

Optical characteristics

at $t_p = 65\text{ °C}$

Type	Ref. No.		Colour	Correlated colour temperature K	Typ. luminous flux and typical voltage ($U_{typ.}$) and power consumption (P_{el})*				CRI
	for black LEDSpots	white LEDSpots			350 mA		500 mA		
					lm	lm/W	lm	lm/W	
Type S126 Heat sink height = 20 mm					$P_{el} = 11.7\text{ W}$ $V_f = 33.3\text{ V}$		$P_{el} = 17.1\text{ W}$ $V_f = 34.2\text{ V}$		
E.Next 111 S126W	568965	568967	warm white	3000	1990	170	2730	160	85
E.Next 111 S126W	568966	568968	neutral white	4000	2050	175	2820	165	85

* Production tolerance of luminous flux, voltage and power consumption: $\pm 10\%$
Versions with other colour temperature, CRI 95 or pearl white on request

Optical characteristics

at $t_p = 65\text{ °C}$

Type	Ref. No.		Colour	Correlated colour temperature K	Typ. luminous flux and typical voltage ($U_{typ.}$) and power consumption (P_{el})*						CRI
	for black LEDSpots	white LEDSpots			600 mA		700 mA		800 mA		
					lm	lm/W	lm	lm/W	lm	lm/W	
Type S120 Heat sink height = 40 mm					$P_{el} = 20\text{ W}$ $V_f = 33.3\text{ V}$		$P_{el} = 23.6\text{ W}$ $V_f = 33.7\text{ V}$		$P_{el} = 27.3\text{ W}$ $V_f = 34.1\text{ V}$		
E.Next 111 S120W	568969	568971	warm white	3000	3430	172	3930	167	4420	162	85
E.Next 111 S120W	568970	568972	neutral white	4000	3540	177	4060	172	4570	167	85

* Production tolerance of luminous flux, voltage and power consumption: $\pm 10\%$
Versions with other colour temperature, CRI 95 or pearl white on request

Reflectors for LED Engines NEXT 111

Technical notes

Bayonet fixation

Diameter: 111 mm (reflector: 90 mm)

Material: aluminium

Operating temperature: -25 to 90 °C

Storage temperature: -40 to 90 °C

Packaging units: 18 pcs.

Ref. No.	Beam characteristics	Beam angle (°)	
		S126	S120
557359	narrow	14	16
557360	medium	24	25
557361	wide	34	38
563446	extra wide	50	50

The values contained in this data sheet can change due to technical innovations. Any such changes will be made without separate notification.

NEXT 111 LUGA Gen. 7

Optical characteristics

at $t_p = 65^\circ\text{C}$

Type	Ref. No.		Colour	Correlated colour temperature K	Typ. luminous flux and typical voltage ($U_{typ.}$) and power consumption (P_{el})*				Light intensity at max. current Candela	Beam angle °	CRI R_a	Energy efficiency at max. current
	for black LEDSpots	white LEDSpots			350 mA lm	lm/W	500 mA lm	lm/W				
Type S126					$P_{el} = 11.7\text{ W}$		$P_{el} = 17.1\text{ W}$					
Heat sink height = 20 mm					$V_f = 33.3\text{ V}$		$V_f = 34.2\text{ V}$					
Next 111 S126W	568920	568928	warm white	3000	1730	148	2375	139	15200	14°	85	A++
Next 111 S126W	568924	568932	neutral white	4000	1785	153	2450	143	15700	14°	85	A++
Next 111 S126W	568921	568929	warm white	3000	1730	148	2375	139	7100	24°	85	A++
Next 111 S126W	568925	568933	neutral white	4000	1785	153	2450	143	7300	24°	85	A++
Next 111 S126W	568922	568930	warm white	3000	1750	150	2400	140	3700	34°	85	A++
Next 111 S126W	568926	568934	neutral white	4000	1805	154	2480	145	3850	34°	85	A++
Next 111 S126W	568923	568931	warm white	3000	1710	146	2345	137	2400	50°	85	A++
Next 111 S126W	568927	568935	neutral white	4000	1765	151	2420	142	2450	50°	85	A++

* Production tolerance of luminous flux, voltage and power consumption: $\pm 10\%$
Versions with other colour temperature, CRI 95 or pearl white on request

Optical characteristics

at $t_p = 65^\circ\text{C}$

Type	Ref. No.		Colour	Correlated colour temperature K	Typ. luminous flux and typical voltage ($U_{typ.}$) and power consumption (P_{el})*						Light intensity at max. current Candela	Beam angle °	CRI R_a	Energy efficiency at max. current
	for black LEDSpots	white LEDSpots			600 mA lm	lm/W	700 mA lm	lm/W	800 mA lm	lm/W				
Type S120					$P_{el} = 20\text{ W}$		$P_{el} = 23.6\text{ W}$		$P_{el} = 27.3\text{ W}$					
Heat sink height = 40 mm					$V_f = 33.3\text{ V}$		$V_f = 33.7\text{ V}$		$V_f = 34.1\text{ V}$					
Next 111 S120W	568937	568943	warm white	3000	2980	149	3415	145	3840	141	19400	16°	85	A++
Next 111 S120W	568940	568947	neutral white	4000	3080	154	3530	150	3975	146	20000	16°	85	A++
Next 111 S120W	568938	568944	warm white	3000	2980	149	3415	145	3840	141	10500	25°	85	A++
Next 111 S120W	568941	568948	neutral white	4000	3080	154	3530	150	3975	146	10850	25°	85	A++
Next 111 S120W	568643	568945	warm white	3000	3015	151	3455	146	3885	142	5850	38°	85	A++
Next 111 S120W	568907	568949	neutral white	4000	3115	156	3570	151	4020	147	6050	38°	85	A++
Next 111 S120W	568939	568946	warm white	3000	2945	147	3375	143	3795	139	4000	50°	85	A++
Next 111 S120W	568942	568950	neutral white	4000	3045	152	3490	148	3930	144	4150	50°	85	A++

* Production tolerance of luminous flux, voltage and power consumption: $\pm 10\%$
Versions with other colour temperature, CRI 95 or pearl white on request

The values contained in this data sheet can change due to technical innovations. Any such changes will be made without separate notification.

LED Drivers

You will find more information about our LED drivers on our website: www.vossloh-schwabe.com

Capacity range W	Output current DC mA	Output voltage DC V	Ref. No.	Version	Current setting	Dimming	Max. service life time		Dimensions (LxWxH) mm	For type	
							hrs.	at T _c °C		DMS 126W	DMS 120W
350 mA											
3.5–18.9	350	10–54	186762	PrimeLine	DIP switch	DAI	100,000	75	97.2x43.2x30.1	x	x
3.5–18.9	350	10–54	186763	PrimeLine	DIP switch	DAI	100,000	75	146.5x43.2x30.1	x	x
6.3–19.95	350	18–57	186431	EasyLine	—	—	50,000	65	122x45x19	x	x
5.25–16.1	350	15–46	186719	EasyLine	—	—	50,000	70	146.5x43.7x30	x	x
5.25–16.1	350	15–46	186720	EasyLine	—	—	50,000	70	97.1x42.6x30.3	x	x
8.05–16.1	350	23–46	186917	EasyLine	—	—	30,000	75	122.8x45x19	x	x
8.7–14.7	350	25–42	186843	ComfortLine	DIP switch	—	50,000	70	97x43x29.5	x	x
8.75–15	350	25–43	186650	ComfortLine	LEDSet	—	100,000	70	97x43x30	x	x
8.75–15	350	25–43	186664	ComfortLine	LEDSet	—	100,000	70	97x43x30	x	x
10.5–15	350	30–43	186591	EasyLine	—	—	30,000	75	115x45x25	x	x
500 mA											
5–27	500	10–54	186762	PrimeLine	DIP switch	DAI	100,000	75	97.2x43.2x30.1	x	x
5–27	500	10–54	186763	PrimeLine	DIP switch	DAI	100,000	75	146.5x43.2x30.1	x	x
7.5–23	500	15–46	186721	EasyLine	—	—	50,000	75	146.5x43.7x30	x	x
7.5–23	500	15–46	186722	EasyLine	—	—	50,000	70	97.1x42.6x30.3	x	x
10.5–21	500	21–42	186918	EasyLine	—	—	30,000	75	115x45x29	x	x
11.5–21	500	23–42	186842	ComfortLine	DIP switch	—	50,000	70	97x43x29.5	x	x
12.5–21	500	25–42	186843	ComfortLine	DIP switch	—	50,000	70	97x43x29.5	x	x
12.5–21.5	500	25–43	186650	ComfortLine	LEDSet	—	100,000	70	97x43x30	x	x
12.5–21.5	350	25–43	186664	ComfortLine	LEDSet	—	100,000	70	97x43x30	x	x
12.5–22	500	25–43	186846	ComfortLine	Terminals	—	50,000	75	97x43x30	x	x
12.5–22	500	25–43	186851	ComfortLine	Terminals	—	50,000	75	97x43x30	x	x
12.5–28.5	500	25–57	186531	EasyLine	Terminals	—	50,000	65	103.6x67.4x31	x	x
14–21	500	28–42	186505	EasyLine	—	Phase cutting	50,000	65	153x41.4x32	x	x
15–21.5	500	30–43	186592	EasyLine	—	—	50,000	65	115x45x25	x	x
600 mA											
6–32.4	600	10–54	186762	PrimeLine	DIP switch	DAI	100,000	75	97.2x43.2x30.1	—	x
6–32.4	600	10–54	186763	PrimeLine	DIP switch	DAI	100,000	75	146.5x43.2x30.1	—	x
13.8–25.2	600	23–42	186842	ComfortLine	DIP switch	—	50,000	70	97x43x29.5	—	x
15–25.8	600	25–43	186650	ComfortLine	LEDSet	—	100,000	70	97x43x30	—	x
15–25.8	600	25–43	186664	ComfortLine	LEDSet	—	100,000	70	97x43x30	—	x
15–26	600	25–43	186847	ComfortLine	Terminals	—	50,000	75	97x43x30	—	x
15–26	600	25–43	186851	ComfortLine	Terminals	—	50,000	75	97x43x30	—	x
15–34.2	600	25–57	186531	EasyLine	Terminals	—	50,000	65	103.6x67.4x31	—	x

Please ensure you choose the correct LED driver for the module in question and that the respective output parameters (current, voltage, wattage) are correct.

The values contained in this data sheet can change due to technical innovations. Any such changes will be made without separate notification.

LED Drivers

You will find more information about our LED drivers on our website: www.vossloh-schwabe.com

Capacity range W	Output current DC mA	Output voltage DC V	Ref. No.	Version	Current setting	Dimming	Max. service life time		Dimensions (LxVxH) mm	For type	
							hrs.	at T _c °C		DMS 126W	DMS 120W
700 mA											
7–37.8	700	10–54	186762	PrimeLine	DIP switch	DAI	100,000	75	97.2x43.2x30.1	—	x
7–37.8	700	10–54	186763	PrimeLine	DIP switch	DAI	100,000	75	146.5x43.2x30.1	—	x
10.5–31.5	700	15–45	186723	EasyLine	—	—	50,000	65	146.5x43.7x30	—	x
10.5–31.5	700	15–45	186724	EasyLine	—	—	50,000	65	97.1x42.6x30.3	—	x
14.7–30.1	700	21–43	186920	EasyLine	—	—	30,000	75	105x68x32	—	x
16.1–29.4	700	23–42	186842	ComfortLine	DIP switch	—	50,000	70	97x43x29.5	—	x
17.5–30	700	25–43	186847	ComfortLine	Terminals	—	50,000	75	97x43x30	—	x
17.5–30	700	25–43	186850	ComfortLine	Terminals	—	50,000	75	97x43x30	—	x
17.5–30.1	700	25–43	186650	ComfortLine	LEDSet	—	100,000	70	97x43x30	—	x
17.5–30.1	700	25–43	186664	ComfortLine	LEDSet	—	100,000	70	97x43x30	—	x
17.5–39.9	700	25–57	186531	EasyLine	Terminals	—	50,000	65	103.6x67.4x31	—	x
21–30.1	700	30–43	186593	EasyLine	—	—	30,000	80	103x67x30	—	x
21–31.5	700	30–45	186501	EasyLine	—	—	50,000	65	171x41x32	—	x
800 mA											
8–38.4	800	10–54	186762	PrimeLine	DIP switch	DAI	100,000	75	97.2x43.2x30.1	—	x
8–38.4	800	10–54	186763	PrimeLine	DIP switch	DAI	100,000	75	146.5x43.2x30.1	—	x
20–33.6	800	25–42	186841	ComfortLine	DIP switch	—	50,000	70	97x43x29.5	—	x
20–34.4	800	25–43	186650	ComfortLine	LEDSet	—	100,000	70	97x43x30	—	x
20–34.4	800	25–43	186664	ComfortLine	LEDSet	—	100,000	70	97x43x30	—	x
20–34.4	800	25–43	186532	EasyLine	Terminals	—	50,000	65	103.6x67.4x31	—	x
20–34.4	800	25–43	186670	ComfortLine	Terminals	—	100,000	70	97x43x30	—	x
20–34	800	25–43	186848	ComfortLine	Terminals	—	50,000	75	97x43x30	—	x
20–34	800	25–43	186850	ComfortLine	Terminals	—	50,000	75	97x43x30	—	x

Please ensure you choose the correct LED driver for the module in question and that the respective output parameters (current, voltage, wattage) are correct.

LEDSpot Evolve 111 / NEXT 111

General information

Performance acc. to IEC 62717: $t_p = 90\text{ }^\circ\text{C}$; 100,000 hrs.

Packaging unit

Type	Packaging unit pcs.	Box dimensions (LxWxH) mm	Weight single (g)	Gross weight packaging unit (g)
E.Evolve 111 S126	12	380x260x140	170	2440
E.Evolve 111 S120	12	380x260x140	280	3760
Evolve 111 S126	12	380x260x140	230	3160
Evolve 111 S120	12	380x260x140	340	4420
Lens Evolve 111	24	340x260x90	60	1950
E.NEXT 111 S120	6	380x260x110	200	1600
E.NEXT 111 S126	6	380x260x110	330	2380
NEXT 111 S120	6	380x260x110	220	1720
NEXT 111 S126	6	380x260x110	350	2500
Reflector NEXT 111	18	118x118x160	20	540

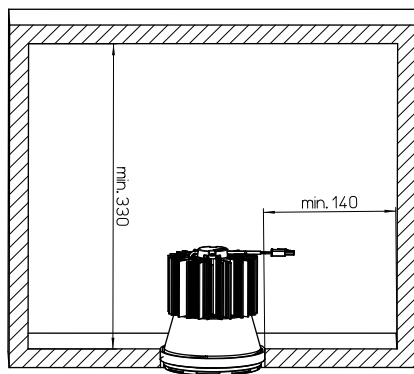
Product guarantee

- 5 years
- The conditions for the Product Guarantee of the Vossloh-Schwabe Group shall apply as published on our homepage (www.vossloh-schwabe.com). We will be happy to send you these conditions upon request.

General safety and installation instructions

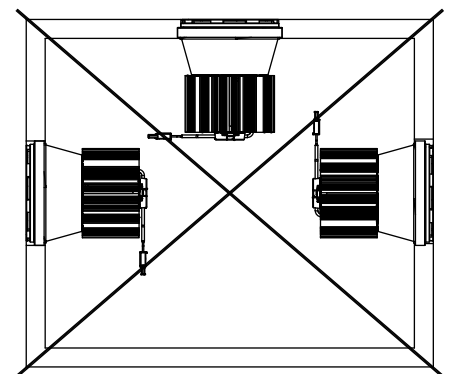
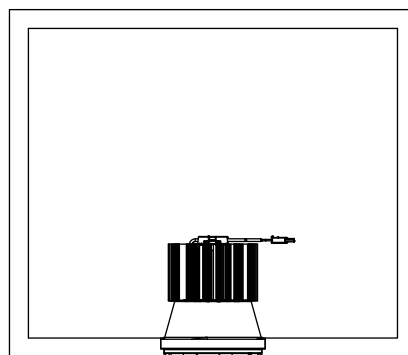
- VS product may only be installed and commissioned by authorised and fully qualified staff.
- These instructions must be carefully read before installing and commissioning the system, as this is the only way to ensure safe and correct handling.
- An external constant-current driver is required.
- Before any work is carried out on the equipment, it must be disconnected from the mains.
- All valid safety and accident-prevention regulations must be observed.
- The products should never be inexpertly opened. Repairs may only be undertaken by the manufacturer

Built-in



Correct position

OK



The values contained in this data sheet can change due to technical innovations. Any such changes will be made without separate notification.