

EVOLVE 111/ NEXT 111



NEW NEXT 111 / EVOLVE 111

More than just a simple update, but a complete redesign of high-end LEDSpots

Your NEXT 111 has been substantially improved to maximise performance and simplify installation. The Evolve 111 is the next generation of AR111 engine with optics.

Evolve 111 / NEXT 111

- Replacement for HID lamps 20-150 W
- Built-in spot with heat sink based on LUGA modules

Typical applications

- Replacement of AR111 lamps
- Integration in luminaires
- Retail lighting
- Downlights
- Light advertising
- Entertainment



Evolve 111

Built-in LEDSpot equipped with interchangeable optics, heat sink and leads

Technical notes

Optics: \varnothing 111 mm, PC, interchangeable

Heat sink material: aluminium

Lumen maintenance: L90/B10; 50,000 hrs.

85 °C at t_p point

Max. operating temperature at t_p point:

120 °C: type DMS126 at 500 mA

110 °C: type DMS120 at 800 mA

Temperature depends on installation situation and has to be checked by the luminaire manufacturer.

Colour accuracy initially: 2 SDCM

Use of external LED constant-current drivers

The ceramic PCB ensures optimum thermal management

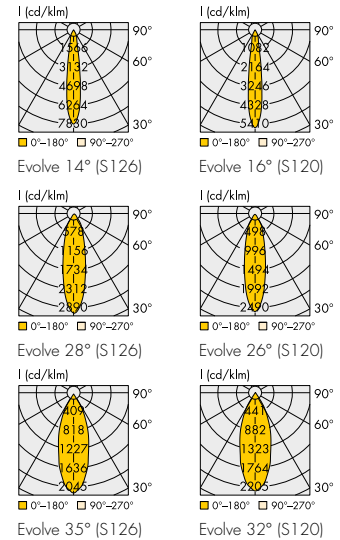
Leads: Cu tinned, stranded conductors AWG22,

FEP-insulation and PVC sleeve, length: 600 mm

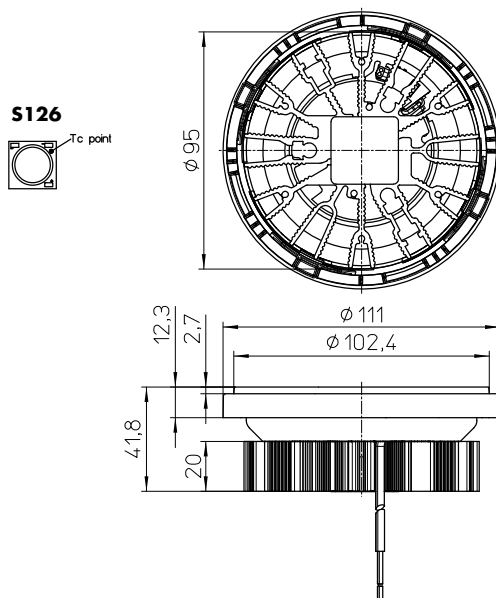
With integrated cord grip

Packaging unit: 6 pcs.

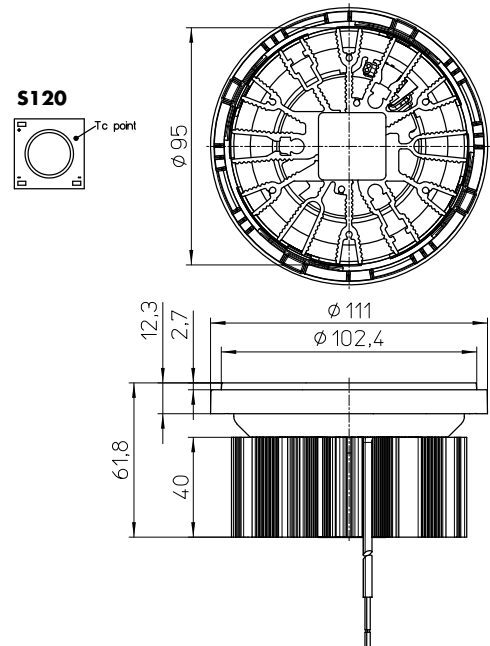
Height	Weight	
Heat sink	Total LEDSpot	g
20 mm	41.8 mm	370
40 mm	61.8 mm	430



Heat sink 20 mm



Heat sink 40 mm



The values contained in this data sheet can change due to technical innovations. Any such changes will be made without separate notification.

Evolve 111

Built-in LEDSpot equipped with interchangeable optics, heat sink and leads

Type	Ref. No.		Colour	Correlated colour temperature K	Typ. luminous flux and typical voltage (U _{typ.}) and power consumption (P _{el})*				Light intensity at max. current Candela	Beam angle °	CRI R _a	Energy efficiency at max. current
	for black LEDSpots	white LEDSpots			350 mA lm	lm/W	500 mA lm	lm/W				
Type S126					P _{el} = 11.8 W V _f = 33.6 V		P _{el} = 17.3 W V _f = 34.6 V					
Heat sink height = 20 mm												
Evolve 111 S126H	567629	567642	warm white	3000	1530	129	2120	121	16600	14°	85	A++
Evolve 111 S126H	567632	567645	neutral white	4000	1580	133	2190	125	17200	14°	85	A++
Evolve 111 S126H	567630	567643	warm white	3000	1550	130	2145	123	6200	28°	85	A++
Evolve 111 S126H	567633	567646	neutral white	4000	1600	134	2215	127	6400	28°	85	A++
Evolve 111 S126H	567631	567644	warm white	3000	1590	134	2200	126	4500	35°	85	A++
Evolve 111 S126H	567634	567647	neutral white	4000	1640	138	2270	130	4650	35°	85	A++

Versions with other colour temperature, CRI 95 or pearl white on request

* Production tolerance of luminous flux, voltage and power consumption: ±10%

Type	Ref. No.		Colour	Correlated colour temperature K	Typ. luminous flux and typical voltage (U _{typ.}) and power consumption (P _{el})*						Light intensity at max. current Candela	Beam angle °	CRI R _a	Energy efficiency at max. current
	for black LEDSpots	white LEDSpots			600 mA lm	lm/W	700 mA lm	lm/W	800 mA lm	lm/W				
Type S120					P _{el} = 20.2 W V _f = 33.7 V		P _{el} = 23.8 W V _f = 34.0 V		P _{el} = 27.5 W V _f = 34.4 V					
Heat sink height = 40 mm														
Evolve 111 S120H	567635	567648	warm white	3000	2625	129	3020	126	3400	123	18400	16°	85	A++
Evolve 111 S120H	567638	567651	neutral white	4000	2710	133	3120	130	3515	127	19000	16°	85	A++
Evolve 111 S120H	567636	567649	warm white	3000	2695	132	3100	129	3490	126	8700	26°	85	A++
Evolve 111 S120H	567639	567652	neutral white	4000	2780	136	3200	133	3610	130	8980	26°	85	A++
Evolve 111 S120H	567637	567650	warm white	3000	2760	135	3175	132	3580	129	7900	32°	85	A++
Evolve 111 S120H	567640	567653	neutral white	4000	2850	140	3280	137	3700	134	8150	32°	85	A++

Versions with other colour temperature, CRI 95 or pearl white on request

* Production tolerance of luminous flux, voltage and power consumption: ±10%

The values contained in this data sheet can change due to technical innovations. Any such changes will be made without separate notification.

NEXT 111

Built-in LEDSpot equipped with an interchangeable aluminium reflector, heat sink and leads

Technical notes

Reflector: Ø 111 mm, aluminium, bayonet fixing, interchangeable

Heat sink material: aluminium

Lumen maintenance: L90/B10; 50.000 hrs.
85 °C at t_p point

Max operating temperature at t_p point:
120 °C: type DMS126 at 500 mA
110 °C: type DMS120 at 800 mA

Temperature depends on installation situation and has to be checked by the luminaire manufacturer.

Colour accuracy initially: 2 SDCM

Use of external LED constant-current drivers

The ceramic PCB ensures optimum thermal management

Plastic clear cover to protect reflector (opaque cover on request)

Fixation for reflector: front rim

for heat sink: lateral fixation with M5 screws and nuts or rear side fixation with self-tapping screws ST2.9

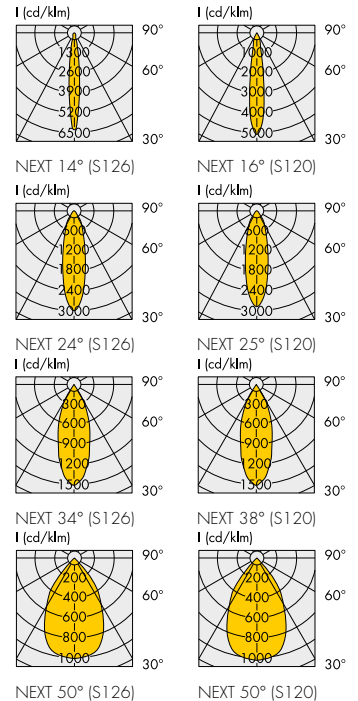
Leads: Cu tinned, stranded conductors AWG22,

FEP-insulation and PVC sleeve, length: 600 mm

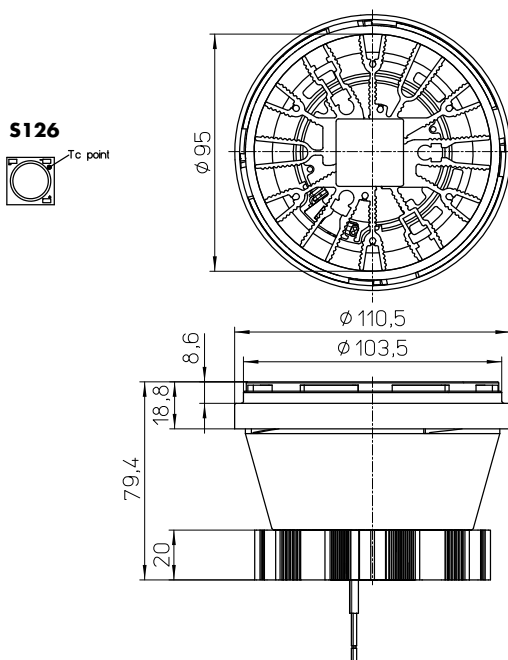
With integrated cord grip

Packaging unit: 6 pcs.

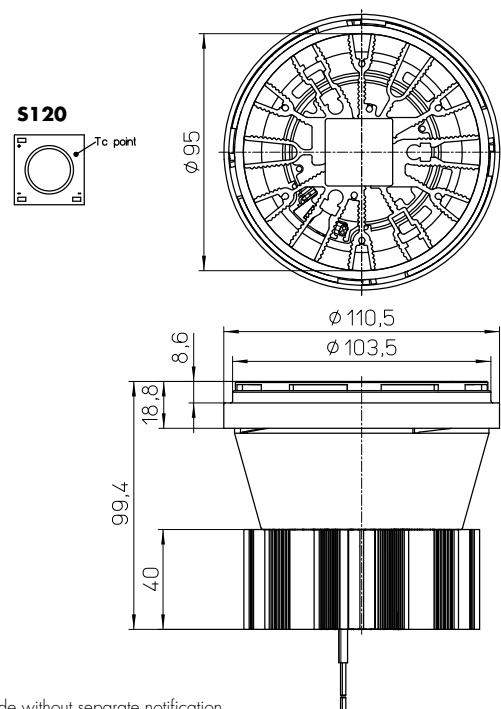
Height	Total LEDSpot	Weight
20 mm	59.4 mm	370 g
40 mm	79.4 mm	430 g



Heat sink 20 mm



Heat sink 40 mm



The values contained in this data sheet can change due to technical innovations. Any such changes will be made without separate notification.

NEXT 111

Built-in LEDSpot equipped with an interchangeable aluminium reflector, heat sink and leads

Type	Ref. No.		Colour	Correlated colour temperature K	Typ. luminous flux and typical voltage (U _{typ.}) and power consumption (P _{el})*				Light intensity at max. current Candela	Beam angle °	CRI R _a	Energy efficiency at max. current
	for black LEDSpots	white LEDSpots			350 mA		500 mA					
					lm	lm/W	lm	lm/W				
Type S126					P _{el} = 11.8 W		P _{el} = 17.3 W					
Heat sink height = 20 mm					V _f = 33.6 V		V _f = 34.6 V					
Next 111 S126H	567592	567601	warm white	3000	1665	140	2305	132	14770	14°	85	A++
Next 111 S126H	567596	567605	neutral white	4000	1720	145	2380	136	15250	14°	85	A++
Next 111 S126H	567593	567602	warm white	3000	1665	140	2305	132	6890	24°	85	A++
Next 111 S126H	567597	567606	neutral white	4000	1720	145	2380	136	7100	24°	85	A++
Next 111 S126H	567594	567603	warm white	3000	1685	142	2330	133	3600	34°	85	A++
Next 111 S126H	567599	567607	neutral white	4000	1740	146	2410	138	3730	34°	85	A++
Next 111 S126H	567595	567604	warm white	3000	1650	139	2275	130	2320	50°	85	A++
Next 111 S126H	567600	567608	neutral white	4000	1700	143	2355	135	2400	50°	85	A++

Versions with other colour temperature, CRI 95 or pearl white on request
 * Production tolerance of luminous flux, voltage and power consumption: ±10%

Type	Ref. No.		Colour	Correlated colour temperature K	Typ. luminous flux and typical voltage (U _{typ.}) and power consumption (P _{el})*						Light intensity at max. current Candela	Beam angle °	CRI R _a	Energy efficiency at max. current
	for black LEDSpots	white LEDSpots			600 mA		700 mA		800 mA					
					lm	lm/W	lm	lm/W	lm	lm/W				
Type S120					P _{el} = 20.2 W		P _{el} = 23.8 W		P _{el} = 27.5 W					
Heat sink height = 40 mm					V _f = 33.7 V		V _f = 34.0 V		V _f = 34.4 V					
Next 111 S120H	567613	567621	warm white	3000	2895	142	3325	139	3750	135	18960	16°	85	A++
Next 111 S120H	567617	567625	neutral white	4000	2990	147	3440	143	3875	140	19500	16°	85	A++
Next 111 S120H	567614	567622	warm white	3000	2895	142	3325	139	3750	135	10220	25°	85	A++
Next 111 S120H	567618	567626	neutral white	4000	2990	147	3440	143	3875	140	10570	25°	85	A++
Next 111 S120H	567615	567623	warm white	3000	2925	143	3365	140	3790	137	5700	38°	85	A++
Next 111 S120H	567619	567627	neutral white	4000	3020	148	3480	145	3920	142	5900	38°	85	A++
Next 111 S120H	567616	567624	warm white	3000	2860	140	3290	137	3705	134	3900	50°	85	A++
Next 111 S120H	567620	567628	neutral white	4000	2950	145	3400	142	3830	138	4050	50°	85	A++

Versions with other colour temperature, CRI 95 or pearl white on request
 * Production tolerance of luminous flux, voltage and power consumption: ±10%

The values contained in this data sheet can change due to technical innovations. Any such changes will be made without separate notification.

LED Drivers

You will find more information about our LED drivers on our website: www.vossloh-schwabe.com

Capacity range W	Output current DC mA	Output voltage DC V	Ref. No.	Version	Current setting	Dimming	Max. service life time		Dimensions (LxWxH) mm	For type	
							hrs.	at t_c °C		DMS 126H	DMS 120H
350 mA											
10.5–15	350	30–43	186591	EasyLine	—	—	30,000	75	115x45x25	x	x
8.75–15	350	25–43	186650	ComfortLine	LEDSet	—	100,000	70	97x43x30	x	x
8.75–15	350	25–43	186664	ComfortLine	LEDSet	—	100,000	70	97x43x30	x	x
10.5–18.5	350	30–53	186503	PrimeLine	Programmable	DALI	100,000	65	123.4x79x4x32.6	x	x
11.2–18	350	32–52	186415	EasyLine	—	Phase cutting	30,000	80	153x41.4x32	x	x
6.3–19.95	350	18–57	186431	EasyLine	—	—	50,000	65	122x45x19	x	x
5.95–14	350	17–40	186463	EasyLine	Terminals	—	50,000	65	103.6x67.4x31	x	x
5.25–16.1	350	15–46	186719	EasyLine	—	—	50,000	70	97.1x42x6x30.3	x	x
5.25–16.1	350	15–46	186720	EasyLine	—	—	50,000	70	146.5x43x7x30	x	x
500 mA											
15–21.5	500	30–43	186592	EasyLine	—	—	50,000	65	115x45x25	x	x
12.5–21.5	500	25–43	186650	ComfortLine	LEDSet	—	100,000	70	97x43x30	x	x
12.5–21.5	350	25–43	186664	ComfortLine	LEDSet	—	100,000	70	97x43x30	x	x
12.5–21.5	500	25–43	186651	ComfortLine	Terminals	—	100,000	70	97x43x30	x	x
8.75–15	500	25–43	186671	ComfortLine	Terminals	—	100,000	70	97x43x30	x	x
15–26.5	500	30–53	186571	PrimeLine	Programmable	DALI	100,000	65	123.4x79x4x32.6	x	x
12.5–28.5	500	25–57	186531	EasyLine	Terminals	—	50,000	65	103.6x67.4x31	x	x
12.5–25	500	25–50	186363	EasyLine	—	—	50,000	60	123.4x79x4x32.6	x	x
14–21	500	28–42	186505	EasyLine	—	Phase cutting	50,000	65	153x41.4x32	x	x
8.5–20	500	17–40	186463	EasyLine	Terminals	—	50,000	65	103.6x67.4x31	x	x
7.5–23	500	15–46	186721	EasyLine	—	—	50,000	75	97.1x42x6x30.3	x	x
7.5–23	500	15–46	186722	EasyLine	—	—	50,000	70	146.5x43x7x30	x	x
600 mA											
15–25.8	600	25–43	186650	ComfortLine	LEDSet	—	100,000	70	97x43x30	—	x
15–25.8	600	25–43	186664	ComfortLine	LEDSet	—	100,000	70	97x43x30	—	x
15–25.8	600	25–43	186652	ComfortLine	Terminals	—	100,000	70	97x43x30	—	x
18–31.8	600	30–53	186503	PrimeLine	Programmable	DALI	100,000	65	123.4x79x4x32.6	—	x
15–34.2	600	25–57	186531	EasyLine	Terminals	—	50,000	65	103.6x67.4x31	—	x
15–25.8	600	25–43	186671	ComfortLine	Terminals	—	100,000	70	97x43x30	—	x
700 mA											
21–30.1	700	30–43	186593	EasyLine	—	—	30,000	80	103x67x30	—	x
17.5–30.1	700	25–43	186650	ComfortLine	LEDSet	—	100,000	70	97x43x30	—	x
17.5–30.1	700	25–43	186664	ComfortLine	LEDSet	—	100,000	70	97x43x30	—	x
17.5–30.1	700	25–43	186652	ComfortLine	Terminals	—	100,000	70	97x43x30	—	x
17.5–30.1	700	25–43	186670	ComfortLine	Terminals	—	100,000	70	97x43x30	—	x
21–37.1	700	30–53	186572	PrimeLine	Programmable	DALI	100,000	65	123.4x79x4x32.6	—	x
17.5–39.9	700	25–57	186531	EasyLine	Terminals	—	50,000	65	103.6x67.4x31	—	x
21–37.1	700	30–53	186308	ComfortLine	—	DALI	100,000	65	123.4x79x4x32.6	—	x
21–37.1	700	30–53	186556	ComfortLine	—	—	100,000	65	159.4x79.4x33	—	x
21–37.1	700	30–53	186306	ComfortLine	—	—	100,000	65	123.4x79x4x32.6	—	x
14–35	700	20–50	186364	EasyLine	—	—	50,000	60	123.4x79x4x32.6	—	x
21–31.5	700	30–45	186501	EasyLine	—	—	50,000	65	171x41x32	—	x
10.5–31.5	700	15–45	186723	EasyLine	—	—	50,000	65	97.1x42x6x30.3	—	x
10.5–31.5	700	15–45	186724	EasyLine	—	—	50,000	65	146.5x43x7x30	—	x
800 mA											
20–34.4	800	25–43	186650	ComfortLine	LEDSet	—	100,000	70	97x43x30	—	x
20–34.4	800	25–43	186664	ComfortLine	LEDSet	—	100,000	70	97x43x30	—	x
20–34.4	800	25–43	186653	ComfortLine	Terminals	—	100,000	70	97x43x30	—	x
20–34.4	800	25–43	186532	EasyLine	Terminals	—	50,000	65	103.6x67.4x31	—	x
20–34.4	700	25–43	186670	ComfortLine	Terminals	—	100,000	70	97x43x30	—	x

Please ensure you choose the correct LED driver for the module in question and that the respective output parameters (current, voltage, wattage) are correct.

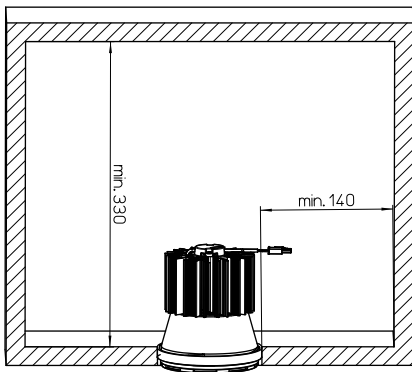
The values contained in this data sheet can change due to technical innovations. Any such changes will be made without separate notification.

LEDSpot Evolve 111 / NEXT 111 – Installation Instruction

General safety information

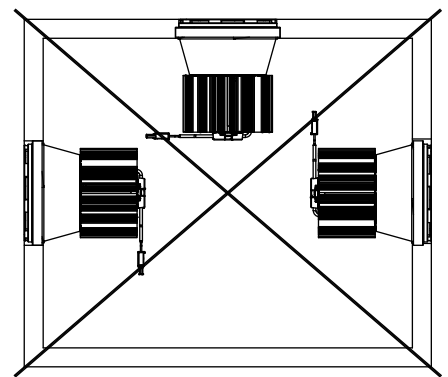
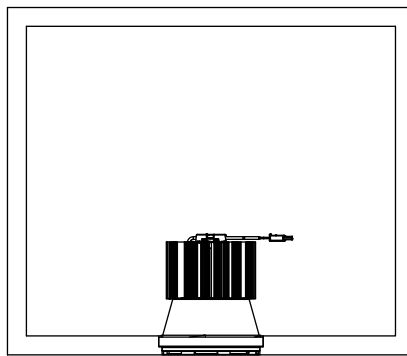
- VS product may only be installed and commissioned by authorised and fully qualified staff.
- These instructions must be carefully read before installing and commissioning the system, as this is the only way to ensure safe and correct handling.
- An external constant-current driver is required.
- Before any work is carried out on the equipment, it must be disconnected from the mains.
- All valid safety and accident-prevention regulations must be observed.
- The products should never be inexpertly opened. Repairs may only be undertaken by the manufacturer.

Built-in



Correct position

OK



Product Guarantee

- 5 years
- The conditions for the Product Guarantee of the Vossloh-Schwabe Group shall apply as published on our homepage (www.vossloh-schwabe.com). We will be happy to send you these conditions upon request.

The values contained in this data sheet can change due to technical innovations. Any such changes will be made without separate notification.