

## EVO 75 / EVO 90

NEW GENERATION



## EVO 75 / EVO 90

As a perfect replacement for HID lamps, these light spots are ideal for integration in luminaires like tracks or downlights. The light engines are ideal for applications like retail, halls and public buildings.

The aluminium reflectors offer an homogeneous light distribution spot and it is possible to interchange the reflector easily.

### **EVO series**

- Replacement for HID lamps 20–70 W
- Interchangeable aluminium reflector for homogeneous light distribution

### **Typical applications**

- Integration in luminaires
- Retail lighting
- Downlights
- Light advertising
- Entertainment



## EVO 75 / EVO 90

**Built-in LEDSpot equipped with a reflector, heat sink and leads**

### Technical notes

Reflector: Ø 75/90 mm (EVO 75/EVO 90)  
aluminium, bayonet fixing

Holder: PC, white

Heat sink material: aluminium

Lumen maintenance:

L90/B10; 50,000 hrs. at 85 °C at  $t_p$  point

Max. operating temperature at  $t_p$  point:

120 °C: type DMS126 at 500 mA

120 °C: type DMS120 at 700 mA

Temperature depends on installation situation and has to be checked by the luminaire manufacturer.

Colour accuracy initially: 2 SDCM

Use of external LED constant-current drivers

The ceramic PCB ensures optimum thermal management

Plastic clear cover to protect reflector

(opaque cover on request)

Fixation

heat sink: lateral fixation with M4 screws for EVO 75 or M5 screws for EVO 90 and nuts or rear side fixation with self-tapping screws ST2.9

Leads: Cu tinned, stranded conductors AWG22,

FEP-insulation and PVC sleeve, length: 600 mm

With integrated cord grip

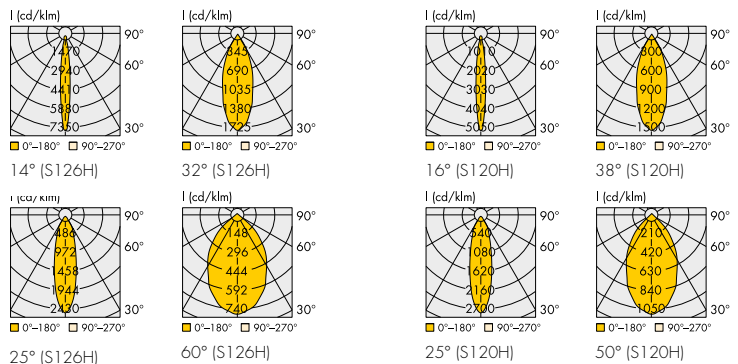
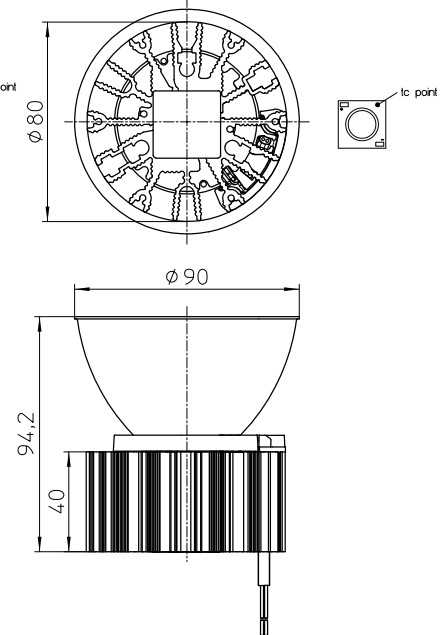
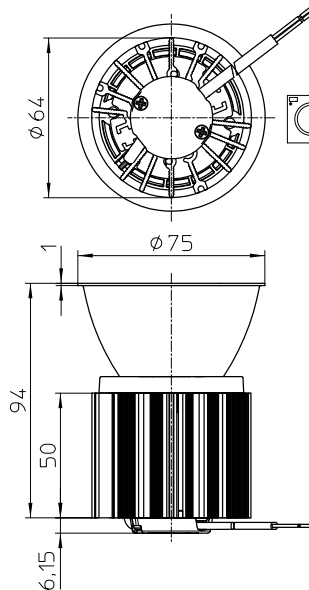
Weight: 260/330 g (EVO 75/EVO 90)

Packaging unit: 6 pcs.



**EVO 75 – S126H**

**EVO 90 – S120H**



## EVO 75

Type	Ref. No.	Colour	Correlated colour temperature K	Typ. luminous flux and efficiency, typ. voltage (V <sub>f</sub> ) and power consumption (P <sub>el</sub> )*				Light intensity at max. current Candela	Beam angle °	CRI R <sub>a</sub>	Energy efficiency at max. current
				350 mA		500 mA					
				lm	lm/W	lm	lm/W				
				P <sub>el</sub> = 11.8 W, V <sub>f</sub> = 33.6 V		P <sub>el</sub> = 17.3 W, V <sub>f</sub> = 34.6 V					
EVO 75 S126H	<b>567078</b>	warm white	3000	1710	144	2360	135	17350	14	85	A++
EVO 75 S126H	<b>567081</b>	neutral white	4000	1760	148	2440	139	18000	14	85	A++
EVO 75 S126H	<b>565769</b>	warm white	3000	1710	144	2360	135	5740	25	85	A++
EVO 75 S126H	<b>567082</b>	neutral white	4000	1760	148	2440	139	5950	25	85	A++
EVO 75 S126H	<b>567079</b>	warm white	3000	1725	145	2385	136	4120	32	85	A++
EVO 75 S126H	<b>567083</b>	neutral white	4000	1780	150	2465	141	4230	32	85	A++
EVO 75 S126H	<b>567080</b>	warm white	3000	1690	142	2330	133	1720	60	85	A++
EVO 75 S126H	<b>567084</b>	neutral white	4000	1740	146	2410	138	1780	60	85	A++

Versions with other colour temperature, CRI 95 or pearl white on request

\* Production tolerance of luminous flux, efficiency, voltage and power consumption: ±10%

## EVO 90

Type	Ref. No.	Colour	Correlated colour temperature K	Typ. luminous flux and efficiency, typ. voltage (V <sub>f</sub> ) and power consumption (P <sub>el</sub> )*						Light intensity at max. current Candela	Beam angle °	CRI R <sub>a</sub>	Energy efficiency at max. current
				500 mA		600 mA		700 mA					
				lm	lm/W	lm	lm/W	lm	lm/W				
				P <sub>el</sub> = 16.6 W V <sub>f</sub> = 33.2 V		P <sub>el</sub> = 20.2 W V <sub>f</sub> = 33.7 V		P <sub>el</sub> = 23.8 W V <sub>f</sub> = 34 V					
EVO 90 S120H	<b>567085</b>	warm white	3000	2445	147	2930	145	3370	142	17040	16	85	A++
EVO 90 S120H	<b>567088</b>	neutral white	4000	2530	152	3025	150	3480	146	17500	16	85	A++
EVO 90 S120H	<b>567086</b>	warm white	3000	2445	147	2930	145	3370	142	9190	25	85	A++
EVO 90 S120H	<b>567089</b>	neutral white	4000	2530	152	3025	150	3480	146	9500	25	85	A++
EVO 90 S120H	<b>565828</b>	warm white	3000	2475	149	2960	147	3405	143	5120	38	85	A++
EVO 90 S120H	<b>567090</b>	neutral white	4000	2560	154	3060	151	3520	148	5300	38	85	A++
EVO 90 S120H	<b>567087</b>	warm white	3000	2415	145	2895	143	3330	140	3500	50	85	A++
EVO 90 S120H	<b>567091</b>	neutral white	4000	2505	151	2990	148	3440	145	3640	50	85	A++

Versions with other colour temperature, CRI 95 or pearl white on request

\* Production tolerance of luminous flux, efficiency, voltage and power consumption: ±10%

### LES protection

Material: PC, transparent

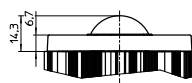
Fixation: click-in

Optical efficiency: 96%

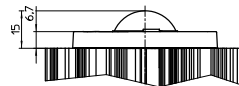
**Ref. No.: 604044** For EVO 75 – S126H

**Ref. No.: 604045** For EVO 90 – S120H

### For EVO 75



### For EVO 90



The values contained in this data sheet can change due to technical innovations. Any such changes will be made without separate notification.

## Reflectors for EVO

**Exchangeable aluminum reflectors for the EVO series**

### Technical notes

Reflectors made of aluminium with bayonet fixation

Surface: anodised

Weight: 27/17 g (D90/D75)

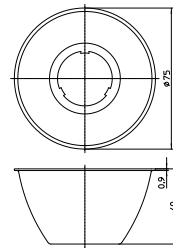
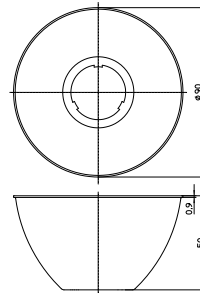
Packaging unit: 18 pcs.

### Usage and maintenance

If necessary clean reflectors with mild soap, water and soft cloth.

Never use any commercial cleaning solvents on reflectors, like alcohol.

Please handle or install reflectors with wearing gloves, skin oils may damage reflector or its optical characteristic.



Ref. No.	Beam characteristic	Beam angle (°)	
		S126H	S120H
<b>Reflector D90 – H = 50</b>			
557359	narrow	14	16
557360	medium	24	25
557361	wide	35	38
563446	extra wide	50	50
<b>Reflector D75 – H = 40</b>			
557152	narrow	14	18
557153	medium	25	24
557154	wide	32	36
562157	extra wide	60	60

It's possible to use all the reflectors on the same holder.

## LED Drivers

You will find more information about our LED drivers on our website: [www.vossloh-schwabe.com](http://www.vossloh-schwabe.com)

Capacity range W	Output current DC mA	Output voltage DC V	Ref. No.	Version	Current setting	Dimming	Max. service life time		Dimensions (LxVxH) mm	For type	
							hrs.	at $t_c$ °C		DMS 126H	DMS 120H
<b>350 mA</b>											
10.5–15	350	30–43	<b>186591</b>	EasyLine	—	—	30,000	75	115x45x25	x	x
8.75–15	350	25–43	<b>186650</b>	ComfortLine	LEDSet	—	100,000	70	97x43x30	x	x
8.75–15	350	25–43	<b>186664</b>	ComfortLine	LEDSet	—	100,000	70	97x43x30	x	x
10.5–18.5	350	30–53	<b>186503</b>	PrimeLine	Programmable	DALI	100,000	65	123.4x79x4x32.6	x	x
11.2–18	350	32–52	<b>186415</b>	EasyLine	—	Phase cutting	30,000	80	153x41.4x32	x	x
6.3–19.95	350	18–57	<b>186431</b>	EasyLine	—	—	50,000	65	122x45x19	x	x
5.95–14	350	17–40	<b>186463</b>	EasyLine	Terminals	—	50,000	65	103.6x67.4x31	x	x
5.25–16.1	350	15–46	<b>186719</b>	EasyLine	—	—	50,000	70	97.1x42x6x30.3	x	x
5.25–16.1	350	15–46	<b>186719</b>	EasyLine	—	—	50,000	70	146.5x43x7x30	x	x
<b>500 mA</b>											
15–21.5	500	30–43	<b>186592</b>	EasyLine	—	—	50,000	65	115x45x25	x	x
12.5–21.5	500	25–43	<b>186650</b>	ComfortLine	LEDSet	—	100,000	70	97x43x30	x	x
12.5–21.5	350	25–43	<b>186664</b>	ComfortLine	LEDSet	—	100,000	70	97x43x30	x	x
12.5–21.5	500	25–43	<b>186651</b>	ComfortLine	Terminals	—	100,000	70	97x43x30	x	x
8.75–15	500	25–43	<b>186671</b>	ComfortLine	Terminals	—	100,000	70	97x43x30	x	x
15–26.5	500	30–53	<b>186571</b>	PrimeLine	Programmable	DALI	100,000	65	123.4x79x4x32.6	x	x
12.5–28.5	500	25–57	<b>186531</b>	EasyLine	Terminals	—	50,000	65	103.6x67.4x31	x	x
12.5–25	500	25–50	<b>186363</b>	EasyLine	—	—	50,000	60	123.4x79x4x32.6	x	x
14–21	500	28–42	<b>186505</b>	EasyLine	—	Phase cutting	50,000	65	153x41.4x32	x	x
8.5–20	500	17–40	<b>186463</b>	EasyLine	Terminals	—	50,000	65	103.6x67.4x31	x	x
7.5–23	500	15–46	<b>186721</b>	EasyLine	—	—	50,000	75	97.1x42x6x30.3	x	x
7.5–23	500	15–46	<b>186722</b>	EasyLine	—	—	50,000	70	146.5x43x7x30	x	x
<b>600 mA</b>											
15–25.8	600	25–43	<b>186650</b>	ComfortLine	LEDSet	—	100,000	70	97x43x30	—	x
15–25.8	600	25–43	<b>186664</b>	ComfortLine	LEDSet	—	100,000	70	97x43x30	—	x
15–25.8	600	25–43	<b>186652</b>	ComfortLine	Terminals	—	100,000	70	97x43x30	—	x
18–31.8	600	30–53	<b>186503</b>	PrimeLine	Programmable	DALI	100,000	65	123.4x79x4x32.6	—	x
15–34.2	600	25–57	<b>186531</b>	EasyLine	Terminals	—	50,000	65	103.6x67.4x31	—	x
15–25.8	600	25–43	<b>186671</b>	ComfortLine	Terminals	—	100,000	70	97x43x30	—	x
<b>700 mA</b>											
21–30.1	700	30–43	<b>186593</b>	EasyLine	—	—	30,000	80	103x67x30	—	x
17.5–30.1	700	25–43	<b>186650</b>	ComfortLine	LEDSet	—	100,000	70	97x43x30	—	x
17.5–30.1	700	25–43	<b>186664</b>	ComfortLine	LEDSet	—	100,000	70	97x43x30	—	x
17.5–30.1	700	25–43	<b>186652</b>	ComfortLine	Terminals	—	100,000	70	97x43x30	—	x
17.5–30.1	700	25–43	<b>186670</b>	ComfortLine	Terminals	—	100,000	70	97x43x30	—	x
21–37.1	700	30–53	<b>186572</b>	PrimeLine	Programmable	DALI	100,000	65	123.4x79x4x32.6	—	x
17.5–39.9	700	25–57	<b>186531</b>	EasyLine	Terminals	—	50,000	65	103.6x67.4x31	—	x
21–37.1	700	30–53	<b>186308</b>	ComfortLine	—	DALI	100,000	65	123.4x79x4x32.6	—	x
21–37.1	700	30–53	<b>186556</b>	ComfortLine	—	—	100,000	65	159.4x79.4x33	—	x
21–37.1	700	30–53	<b>186306</b>	ComfortLine	—	—	100,000	65	123.4x79x4x32.6	—	x
14–35	700	20–50	<b>186364</b>	EasyLine	—	—	50,000	60	123.4x79x4x32.6	—	x
21–31.5	700	30–45	<b>186501</b>	EasyLine	—	—	50,000	65	171x41x32	—	x
10.5–31.5	700	15–45	<b>186723</b>	EasyLine	—	—	50,000	65	97.1x42x6x30.3	—	x
10.5–31.5	700	15–45	<b>186724</b>	EasyLine	—	—	50,000	65	146.5x43x7x30	—	x

Please ensure you choose the correct LED driver for the module in question and that the respective output parameters (current, voltage, wattage) are correct.

### Accessories – iProgrammer

The iProgrammer is designed to configure LED drivers using the 3C function.

Dimensions: 123.4 x 79.4 x 32.6 mm

**Ref. No.: 186428**

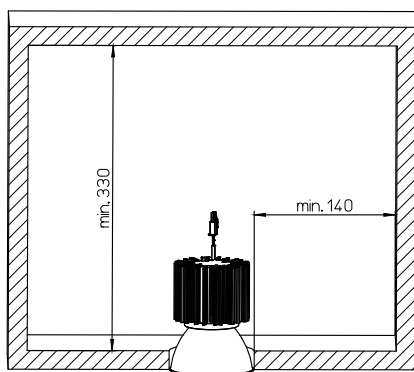
The values contained in this data sheet can change due to technical innovations. Any such changes will be made without separate notification.

## EVO 75 / EVO 90 – Installation Instruction

### General safety information

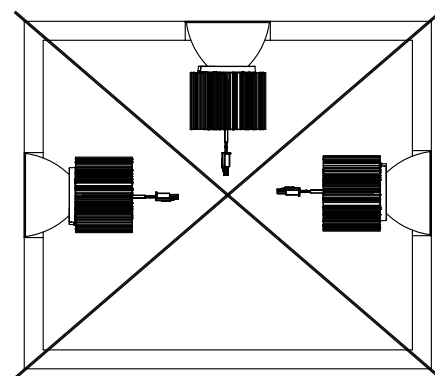
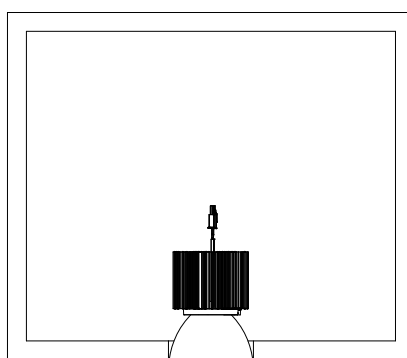
- VS product may only be installed and commissioned by authorised and fully qualified staff.
- These instructions must be carefully read before installing and commissioning the system, as this is the only way to ensure safe and correct handling.
- An external constant-current driver is required.
- Before any work is carried out on the equipment, it must be disconnected from the mains.
- All valid safety and accident-prevention regulations must be observed.
- The products should never be inexpertly opened. Repairs may only be undertaken by the manufacturer.

### Built-in



### Correct position

OK



### Product Guarantee

- 5 years
- The conditions for the Product Guarantee of the Vossloh-Schwabe Group shall apply as published on our homepage ([www.vossloh-schwabe.com](http://www.vossloh-schwabe.com)). We will be happy to send you these conditions upon request.

The values contained in this data sheet can change due to technical innovations. Any such changes will be made without separate notification.