

LED DOWNLIGHTS

FOR DIRECT CONNECTION
TO MAINS VOLTAGE



LED DOWNLIGHTS

LED Recessed Mounted Downlight

LED, as today's most efficient light source, delivers a high quality light with an increased lifetime, compared to conventional compact fluorescent light sources. LED Downlights provide an optimal light distribution and extended life time all at an affordable price. LED downlights are fully compatible with existing conventional downlight infrastructure, and are the perfect choice for both new and replacement markets.

■ PRIME K R

- DoB technology for direct connection to mains voltage
- High efficiency of up to 88 lm/W
- Slim design for easy installation in low false ceiling
- High colour rendering index CRI: ≥ 80



Check here for compatible Dimmer list:



- **LONG SERVICE LIFE TIME: 50,000 h**
- **100% INSTANT LIGHT**
- **INTEGRATED DRIVER**
- **DIMMABLE (SEE DIMMER LIST)**
- **HIGH QUALITY COB TECHNOLOGY**
- **5 YEARS GUARANTEE**

Prime K R 4" – 15 W

**Indoor LED recessed mounted downlight
with aluminium reflector
For direct connection to mains voltage**

Mains voltage: 220–240 V, 50–60 Hz

Power factor: > 0.95

THD: < 20%

Reflector: Ø 118 mm, aluminium

Material: aluminium diecast

Powder coating: epoxid

Flange colour: white (RAL 9003)

Front part: glass

Degree of protection: IP20 or

IP44 (casing: IP20, front part: IP44)

Allowed operating temperature: 0 to 30 °C

Allowed storage temperature: –30 to 60 °C

Colour accuracy initially: 3 SDCM

Dimmable: See dimmer list

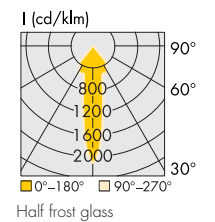
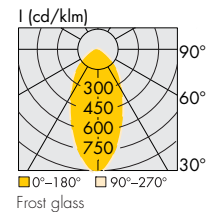
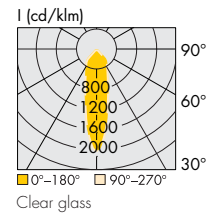
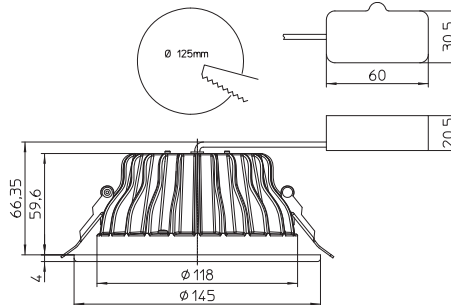


IP44
(front)



**MADE IN
GERMANY**

Prime K R – 4" – 15 W



Type	Ref. No.	Colour	Correlated colour temperature [K]	Power consumption [W]	Typ. luminous flux* [lm]	Beam angle °	Typ. CRI R _a	Energy efficiency at max. current*	
Degree of protection									
	IP20	IP44 Front							
Clear glass									
DL-PRIME-K-4-R15-830-25-C	563107	565536	warm white	3000	15	1175	25	80	A+
DL-PRIME-K-4-R15-840-25-C	563109	565537	neutral white	4000	15	1240	25	80	A+
DL-PRIME-K-4-R15-850-25-C	563111	565538	cool white	5000	15	1305	25	80	A+
Frost glass									
DL-PRIME-K-4-R15-830-50-D	563108	565539	warm white	3000	15	1110	50	80	A+
DL-PRIME-K-4-R15-840-50-D	563110	565540	neutral white	4000	15	1170	50	80	A+
DL-PRIME-K-4-R15-850-50-D	563112	565545	cool white	5000	15	1230	50	80	A+
Half frost glass									
DL-PRIME-K-4-R15-830-45-SD	on request	565549	warm white	3000	15	1160	45	80	A+
DL-PRIME-K-4-R15-840-45-SD	on request	565550	neutral white	4000	15	1225	45	80	A+
DL-PRIME-K-4-R15-850-45-SD	on request	565590	cool white	5000	15	1290	45	80	A+

* Production tolerance of luminous flux, voltage and power consumption: ±10%

The values contained in this data sheet can change due to technical innovations. Any such changes will be made without separate notification.

Prime K R 6" – 20 W

**Indoor LED recessed mounted downlight
with aluminium reflector
For direct connection to mains voltage**

Mains voltage: 220–240 V, 50–60 Hz

Power factor: > 0.95

THD: < 20%

Reflector: Ø 165 mm, aluminium

Material: aluminium diecast

Powder coating: epoxid

Flange colour: white (RAL 9003)

Front part: glass

Degree of protection: IP20 or

IP44 (casing: IP20, front part: IP44)

Allowed operating temperature: 0 to 30 °C

Allowed storage temperature: –30 to 60 °C

Colour accuracy initially: 3 SDCM

Dimmable: See dimmer list

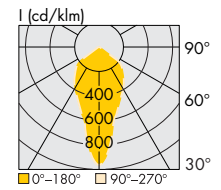
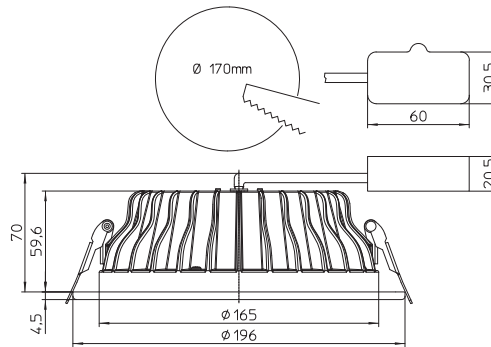


IP44
(front)

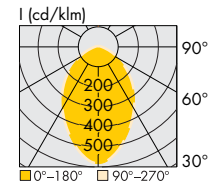


**MADE IN
GERMANY**

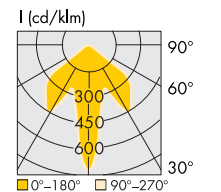
Prime K R – 6" – 20 W



Clear glass



Frost glass



Half frost glass

Type	Ref. No.		Colour	Correlated colour temperature (K)	Power consumption (W)	Typ. luminous flux* (lm)	Beam angle (°)	Typ. CRI (Ra)	Energy efficiency at max. current*	
	Degree of protection	Degree of protection								
	IP20	IP44 Front								
Clear glass										
DL-PRIME-K-6-R20-830-40-C	563113	565565	warm white	3000	20	1565	40	80	A+	
DL-PRIME-K-6-R20-840-40-C	563115	565566	neutral white	4000	20	1655	40	80	A+	
DL-PRIME-K-6-R20-850-40-C	563117	565567	cool white	5000	20	1740	40	80	A+	
Frost glass										
DL-PRIME-K-6-R20-830-75-D	563114	565568	warm white	3000	20	1440	75	80	A	
DL-PRIME-K-6-R20-840-75-D	563116	565569	neutral white	4000	20	1520	75	80	A+	
DL-PRIME-K-6-R20-850-75-D	563118	565570	cool white	5000	20	1600	75	80	A+	
Half frost glass										
DL-PRIME-K-6-R20-830-45-SD	on request	566199	warm white	3000	20	1550	45	80	A+	
DL-PRIME-K-6-R20-840-45-SD	on request	565573	neutral white	4000	20	1635	45	80	A+	
DL-PRIME-K-6-R20-850-45-SD	on request	565591	cool white	5000	20	1720	45	80	A+	

* Production tolerance of luminous flux, voltage and power consumption: ±10%

The values contained in this data sheet can change due to technical innovations. Any such changes will be made without separate notification.

Prime K R 8" – 20 W

**Indoor LED recessed mounted downlight
with aluminium reflector
For direct connection to mains voltage**

Mains voltage: 220–240 V, 50–60 Hz

Power factor: > 0.95

THD: < 20%

Reflector: Ø 206 mm, aluminium

Material: aluminium diecast

Powder coating: epoxid

Flange colour: white (RAL 9003)

Front part: glass

Degree of protection: IP20 or

IP44 (casing: IP20, front part: IP44)

Allowed operating temperature: 0 to 30 °C

Allowed storage temperature: –30 to 60 °C

Colour accuracy initially: 3 SDCM

Dimmable: See dimmer list

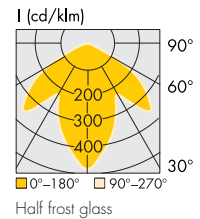
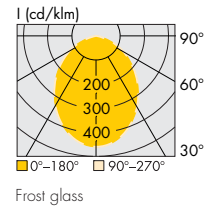
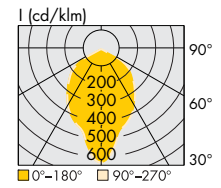
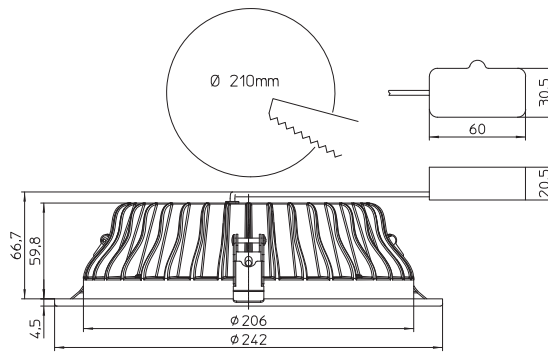


IP44
(front)



**MADE IN
GERMANY**

Prime K R – 8" – 20 W



Type	Ref. No.		Colour	Correlated colour temperature (K)	Power consumption W	Typ. luminous flux* lm	Beam angle °	Typ. CRI R _a	Energy efficiency at max. current*
	Degree of protection IP20	IP44 Front							
Clear glass									
DL-PRIME-K-8-R20-830-70-C	563119	565574	warm white	3000	20	1585	70	80	A+
DL-PRIME-K-8-R20-840-70-C	563121	565575	neutral white	4000	20	1675	70	80	A+
DL-PRIME-K-8-R20-850-70-C	563123	565576	cool white	5000	20	1760	70	80	A+
Frostglas									
DL-PRIME-K-8-R20-830-90-D	563120	565577	warm white	3000	20	1475	90	80	A
DL-PRIME-K-8-R20-840-90-D	563122	565578	neutral white	4000	20	1560	90	80	A+
DL-PRIME-K-8-R20-850-90-D	563124	565579	cool white	5000	20	1640	90	80	A+
Half frost glass									
DL-PRIME-K-8-R20-830-45-SD	on request	565588	warm white	3000	20	1565	45	80	A+
DL-PRIME-K-8-R20-840-45-SD	on request	565580	neutral white	4000	20	1655	45	80	A+
DL-PRIME-K-8-R20-850-45-SD	on request	565589	cool white	5000	20	1740	45	80	A+

* Production tolerance of luminous flux, voltage and power consumption: ±10%

The values contained in this data sheet can change due to technical innovations. Any such changes will be made without separate notification.

Prime K R 8" – 30 W

**Indoor LED recessed mounted downlight
with aluminium reflector
For direct connection to mains voltage**

Mains voltage: 220–240 V, 50–60 Hz

Power factor: > 0.95

THD: < 20%

Reflector: Ø 206 mm, aluminium

Material: aluminium diecast

Powder coating: epoxid

Flange colour: white (RAL 9003)

Front part: glass

Degree of protection: IP20 or

IP44 (casing: IP20, front part: IP44)

Allowed operating temperature: 0 to 30 °C

Allowed storage temperature: –30 to 60 °C

Colour accuracy initially: 3 SDCM

Dimmable: See dimmer list

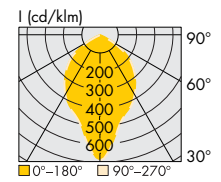
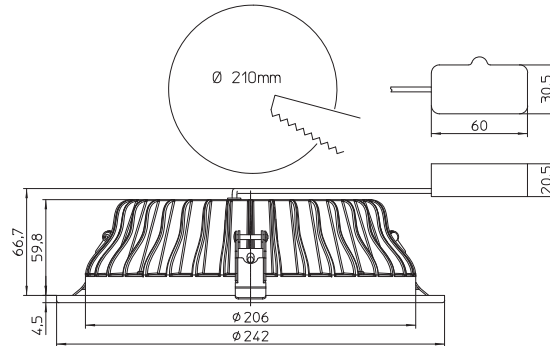


IP44
(front)

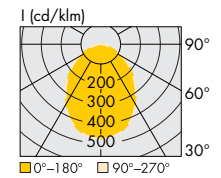


**MADE IN
GERMANY**

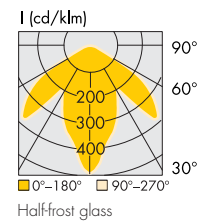
Prime K R – 8" – 30 W



Clear glass



Frost glass



Half-frost glass

Type	Ref. No.		Colour	Correlated colour temperature [K]	Power consumption W	Typ. luminous flux* lm	Beam angle °	Typ. CRI R _a	Energy efficiency at max. current*
	Degree of protection	IP44 Front							
Clear glass									
DL-PRIME-K-8-R30-830-70-C	563125	565581	warm white	3000	30	2350	70	80	A+
DL-PRIME-K-8-R30-840-70-C	563127	565582	neutral white	4000	30	2500	70	80	A+
DL-PRIME-K-8-R30-850-70-C	563129	566200	cool white	5000	30	2650	70	80	A+
Frost glass									
DL-PRIME-K-8-R30-830-90-D	563126	565583	warm white	3000	30	2160	90	80	A
DL-PRIME-K-8-R30-840-90-D	563128	565584	neutral white	4000	30	2280	90	80	A+
DL-PRIME-K-8-R30-850-90-D	563130	565585	cool white	5000	30	2400	90	80	A+
Half frost glass									
DL-PRIME-K-8-R30-830-45-SD	on request	565586	warm white	3000	30	2190	45	80	A
DL-PRIME-K-8-R30-840-45-SD	on request	565587	neutral white	4000	30	2300	45	80	A+
DL-PRIME-K-8-R30-850-45-SD	on request	565812	cool white	5000	30	2395	45	80	A+

* Production tolerance of luminous flux, voltage and power consumption: ±10%

The values contained in this data sheet can change due to technical innovations. Any such changes will be made without separate notification.

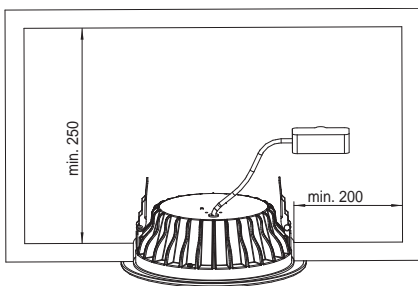
Prime K R Installation Instruction

General safety information

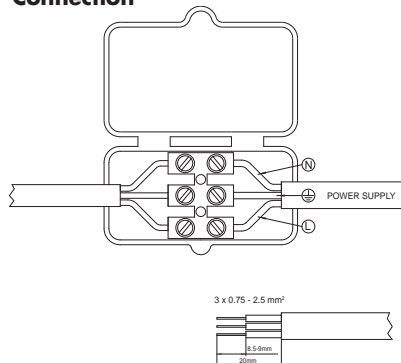
- VS product may only be installed and commissioned by authorised and fully qualified staff.
- These instructions must be carefully read before installing and commissioning the system, as this is the only way to ensure safe and correct handling.
- Before any work is carried out on the equipment, it must be disconnected from the mains.
- All valid safety and accident-prevention regulations must be observed.
- The products should never be inexpertly opened as this poses lethal danger due to electrical shock. Repairs may only be undertaken by the manufacturer.
- Prime K R is dimmable with common phase-cut dimmers; minimum dimmer load has to be respected.
- The compatibility of the downlights with the dimmer has to be confirmed prior to installation
- If module is used in rooms with fast moving parts as the light modulation might cause stroboscopic effects.
- This LED module might interfere with displays and cameras due to modulation.
- The photo biological safety of the LED modules is classified into risk groups in accordance with EN 62471: 2008 and IEC TR 62778: risk group 1.
- In case of broken glass please switch OFF mains (220–240 V) and have a qualified staff replace the complete luminaire.
- Do not use PRIME K R in locations containing a bath or shower; Prime K R is IP20 protected.

See drawing and cut out for each product on previous pages

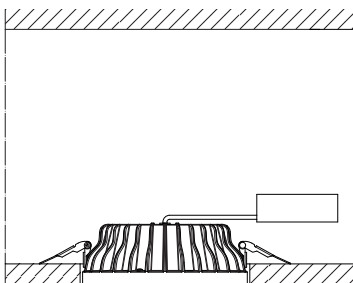
Box dimensions



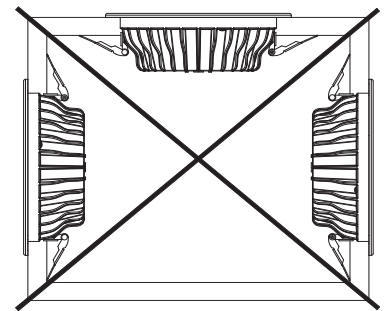
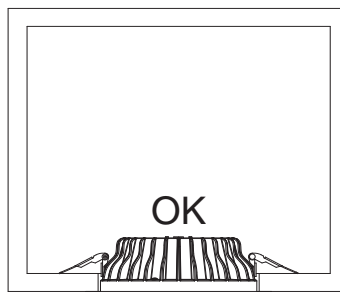
Connection



Assembly



Correct position



The values contained in this data sheet can change due to technical innovations. Any such changes will be made without separate notification.

Prime K R tested Dimmers

Prime K R is dimmable with common phase-cut dimmers; minimum dimming load has to be respected. The compatibility of the downlights with the dimmer has to be confirmed prior to installation.

- Vossloh-Schwabe DimONE 186607
- Vossloh-Schwabe DimONE Bluetooth® 186608
- Vossloh-Schwabe Dimmer 250 W 554591
- Vossloh-Schwabe Dimmer 500 W 554592
- Jung 225TDE Insta 51040
- Gira 030700 = Insta
- Berker 2874
- Berker 286710 Insta 5190
- Busch Jäger 6513 U-102
- Busch Jäger 6519U
- Sygonix 33595A
- Merten MEG5136-0000
- LeGrand ADW-ETL4-420VA
- Hager WUD82 + WYA920
- Merten 577899 + 570419
- Gira 2262 Anschn.
- Jung 225 NVDE Anschn.
- Berker 85421200 leading edge Anf. 2013 / equiv. Hager Anf. 2013 both Touch
- Sygonix 33596V leading edge
- Sygonix 33594C leading edge
- Sygonix 33594R leading edge
- Merten MEG5170-0300 + 343519
- Eltako EUD61NPN univ.
- Eltako EUD61M-UC univ.
- Eltako EUD61NP univ.
- Hager EVN002 univ.
- Hager EVN004 univ.
- Berker 16701 univ.
- Jung UD1255REG univ.
- Busch Jäger 6583 univ.
- Eltako EUD12D univ. / Eltako EUD12F univ. / Eltako EUD12Z univ.
- Eltako EUD12Z univ. /

Comparison with Compact Fluorescent Lamps

Prime K R – 4" – 15 W



Prime K R – 6" – 20 W



Prime K R – 8" – 20 W



Prime K R – 8" – 30 W



The values contained in this data sheet can change due to technical innovations. Any such changes will be made without separate notification.