



A New Lighting Experience



- custom colour control
- possibility to call up pre-set colour programs
- independent brightness control

DigiLED

Colour Control Modules

- DigiLED-manual
- DigiLED-DMX-2
- DigiLED-Slave
- DigiLED 1-10 V
- Manual Controller
- DigiLED Wireless IR
- DigiLED DALI
- DigiLED Push
- DigiLED RF

Vossloh-Schwabe Deutschland GmbH

Hohe Steinert 8 · 58509 Lüdenscheid, Germany · Phone: +49 (0) 23 51/101-0
Fax: +49 (0) 23 51/101-217 + -384 · www.vossloh-schwabe.com

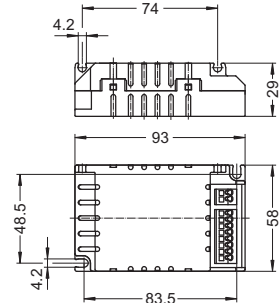
DigiLED

Colour control modules

Dimensions: 93x58x29 mm
 Ambient temperature t_a : 0 to 45 °C
 Operating voltage: 12–30 V DC
 Max. current via LED module: 1 A per conductor
 Short-circuit protection: electronic
 Overload and temperature protection: reversible
 Connector: VS system connector
 All DigiLED not for the US market

The DigiLED module enables three-channel (RGB) colour control. In addition, it can be used for independent brightness control of three single-colour LED modules. In the simplest case, a keypad enables manual colour control. However, next to custom colour control, it is also possible to call up pre-set colour programs like for instance colour sequences.

The load circuits of the DigiLED modules are electronically protected against overload, overheating and short-circuiting. The input circuit is additionally protected by a safety fuse.



Colour controls via key pads (6 keys) with interface for control via external signal line
 Individual colour control or call-up of pre-set programs
 Type: WU-ST-DigiLED-manual
Ref. No.: 509377



Digital colour controls via DMX light management
 Type: WU-ST-DigiLED-DMX-2
Ref. No.: 509378



Increase of the system performance
 Colour control over upstream DigiLED
 Combination with all DigiLED variants possible
 Type: WU-ST-DigiLED-Slave
Ref. No.: 507222



The values contained in this data sheet can change due to technical innovations. Any such changes will be made without separate notification. Please find further detailed information at www.vs-optoelectronic.com.

DigiLED 1-10 V

Colour control module

Dimensions: 93x58x29 mm
 Colour control by 1-10 V interface
 Commercial control elements can be connected
 Ambient temperature t_a : 0 to 45 °C
 Operating voltage: 12-30 V DC
 Max. current via LED module: 1 A per conductor
 Short-circuit protection: electronic
 Overload and temperature protection: reversible
 Connection: VS system connector
 All DigiLED not for the US market
 Type: WU-ST-DigiLED-1-10 V
Ref. No.: 505781

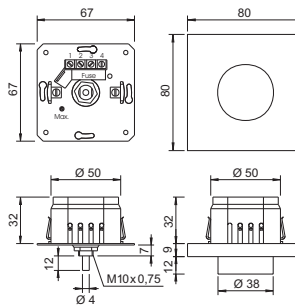
A DigiLED control module adjusts colour values of an LED module (RGB) or controls the brightness of three mono-colour LED modules independently. In the most simple case colours are controlled manually by the use of sensing devices.

In addition to individual colour adjustment preassigned illumination scenes such as colour schemes can be called off.



Manual controller

Dimmer with low-voltage interface 1-10 V
 With push-button change-over switch
 Stud 4 mm, for installation in flushtype boxes with 55 mm dia., max. 50 EB per dimmer
 Weight: 60/30 g, Sales unit: 25 pcs.
 Without cover plate: 67x67x51.5 mm
Ref. No.: 172778
 Cover plate with rotary knob: 80x80x9 mm
Ref. No.: 172775 white



DigiLED Wireless IR

Colour adjustment by a portable remote control
 Call up of pre-adjusted setting possible data transfer via infra-red (technical modifications subject to change)
 All DigiLED not for the US market
 Type: WU-ST-DigiLED-Wireless IR
Ref. No.: 508621



The values contained in this data sheet can change due to technical innovations. Any such changes will be made without separate notification. Please find further detailed information at www.vs-optoelectronic.com.

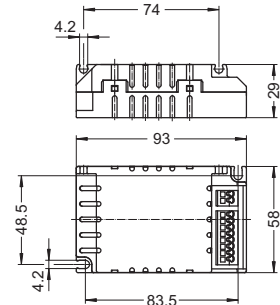
DigiLED DALI

Colour control module

The DigiLED DALI module enables three-channel (RGB) colour control. In addition, it can be used for independent brightness control of three single-colour LED modules. The three-channel colour control feature was specifically developed to address VS Optoelectronic's RGB modules, e.g. LEDLine, MarkerLED or FloodLED.

The DigiLED DALI module constitutes three independent devices within the DALI address space. Even signalling and eliminating defects are separate functions so that if one channel short-circuits, the other two channels will not necessarily be switched off as well.

The DigiLED DALI module offers three addressable 16 bit outputs and can be controlled using all DALI-compatible control devices.



- Dimensions: 93x58x29 mm
- Ambient temperature: -20 to 40 °C
- Operating voltage: 12-30 V DC
- Max. current via LED module: 1 A per conductor
- Short-circuit protection: electronic
- Overload and temperature protection: reversible
- Connection: VS system connector
- Output current monitor for each separate channel: LED currents greater than 1.1 A are shown as lamp defects in the affected channels.
- Supply voltage monitor: voltages that exceed or fall below the admissible DigiLED supply voltage are shown as lamp defects.
- SELV-equivalent insulation against the DALI interface
- The module can be reconfigured any number of times in accordance with pat. DE 10115 36
- All DigiLED not for the US market



Digital colour controls via DALI light management
 Type: WU-ST-DigiLED-DALI-3CH
Ref. No.: 529620

The values contained in this data sheet can change due to technical innovations. Any such changes will be made without separate notification. Please find further detailed information at www.vs-optoelectronic.com.

DigiLED Push

Colour control module

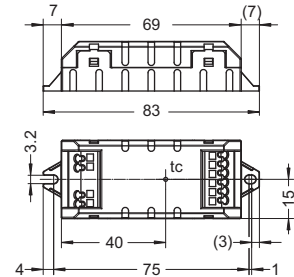
DigiLED Push units are used to control pre-programmed colour sequences of LED modules from Vossloh-Schwabe.

An externally connected push-button enables simple manual operation.

Find detailed informations of the DigiLED Push in the operation manual on www.vs-optoelectronic.com.

The following DigiLED Push functions can be adjusted:

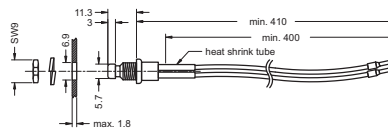
- Calling up a colour sequence with three freely adjustable colour sequence speeds
- Calling up and saving a colour value (chromaticity) of the colour sequence



Dimensions: 83x30x19 mm
 Ambient temperature: -20 to +45 °C
 Operating voltage: 23-24 V DC
 Max. load of LED-modules: 1.25 A/channel
 Type: WU-ST-006-DigiLED-Push
Ref. No.: 186143



Push-Button
 for connection to DigiLED Push
 Lead length: 400 mm
 Lead cross section: 0.34 mm²
Ref. No.: 537786



The values contained in this data sheet can change due to technical innovations. Any such changes will be made without separate notification. Please find further detailed information at www.vs-optoelectronic.com.

DigiLED RF

Colour control module

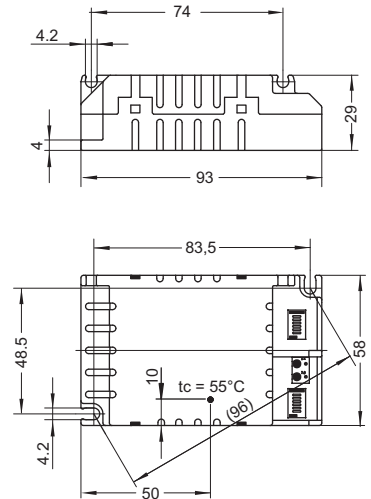
DigiLED RF units are used to control pre-programmed colour sequences of LED modules from Vossloh-Schwabe.

Easy operation possible via radio frequency (RF) and an keypad with 7 buttons. The operation via radio frequency (RF) enables a flexible installation. Optical "line of sight" or cables are not necessary due to RF operation.

Find detailed informations of the DigiLED RF in the operation manual on www.vs-optoelectronic.com.

The following functions can be called up using DigiLED RF:

- Independent control of individual channel brightness (RGB),
 - Retrieval and storage of individual colour values,
 - three different colour sequences (RGB colour sequence, colour sequence with shades of warm white, colour sequence with shades of cool white) and
 - Adjustment of colour sequence speeds.
- Should the DigiLED RF unit be disconnected from and then reconnected to the mains, the unit will restart with the last-stored colour.



Dimensions: 93x58x29 mm
 Ambient temperature: 0 to +45 °C
 Operating voltage: 12–30 V DC
 Max. load of LED-modules: 1 A/channel
 Type: WU-ST-008-DigiLED-RF
Ref. No.: 536842



Walltransmitter
 required to activate the programs
 in the DigiLED RF
 Dimensions: 86x86x15 mm
 Typ: WU-ST-009-Walltransmitter
Best.-Nr.: 536843

