

DECOLED

A NEW GENERATION
OF DECORATION



DECOLED – IDEAL FOR INDOOR APPLICATIONS

DecoLED, a highly efficient LED downlight, is the perfect solution for commercial and residential applications. The die-cast casing is fitted with an easy adjustment function that allows the light to be positioned at the desirable angle. The adaptable spring clip makes installation quick, easy and hassle-free, and is suitable for all types of ceiling.

Thanks to the high light output of DecoLED, the DecoLED 7 W is an ideal replacement for 50 W halogen lamp. This results in an energy saving of more than 87% and reduces CO₂ emissions, all of which makes DecoLED the more environmentally sustainable option.

Going greener has never been easier – for further energy-efficient and highly eco-friendly lighting options, VS provides a full range of LED modules to suit your every need.

Typical applications

- Residential lighting
- Commercial lighting
- Showcase lighting
- Bathroom and kitchen lighting
- Entertainment lighting

DecoLED

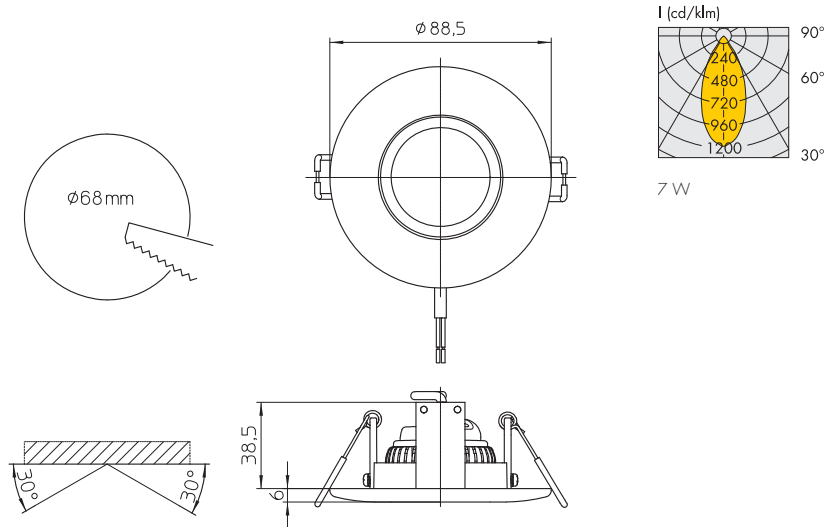
- **INTEGRATED DRIVER**
- **DIMMABLE (SEE DIMMER LIST)**
- **HIGH QUALITY COB TECHNOLOGY**
- **SWIVELING LUMINAIRE HEAD (± 30°)**
- **DEGREE OF PROTECTION: IP44 (FRONT PART)**

VS DecoLED

Complete LEDSpot equipped with optics, heatsink, leads and metal frame

Technical notes

For direct connection to mains voltage
 Mains voltage: 220–240 V, 50/60 Hz
 Dimmable
 Power factor: > 0.9
 Metal frame, round, white
 For cut-out: 68 mm
 Swiveling LED module ($\pm 30^\circ$)
 Beam angle: 38°
 Allowed operating temperature: 0 to 35°C
 Leads: Cu tinned, stranded conductors 0.5 mm^2
 Si-insulation and sleeve
 Degree of protection: IP20 (front part: IP44)
 Weight: 160 g



Type	Ref. No.	Colour	Colour temperature K	Luminous flux lm		Light intensity at 230 V Candela	Beam angle $^\circ$	CRI R_a	Max. output W	Energy efficiency
				min.	typ.					
DecoLED-7-827-38	563284	warm white	2700	465	530	650	38	80	7	A++
DecoLED-7-830-38	562282	warm white	3000	495	560	690	38	80	7	A++
DecoLED-7-840-38	563285	neutral white	4000	525	600	720	38	80	7	A++
DecoLED-7-865-38	564783	cool white	6500	505	580	700	38	80	7	A++

The values contained in this data sheet can change due to technical innovations. Any such changes will be made without separate notification.

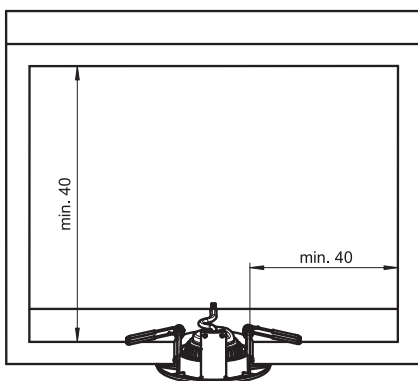
VS DecoLED Installation Instruction

General safety information

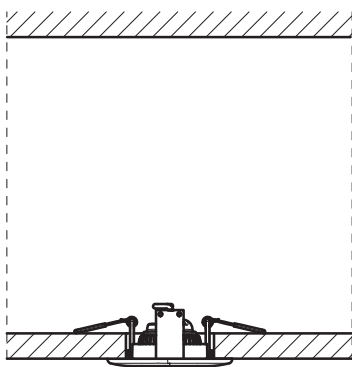
- VS product may only be installed and commissioned by authorised and fully qualified staff.
- These instructions must be carefully read before installing and commissioning the system, as this is the only way to ensure safe and correct handling.
- Before any work is carried out on the equipment, it must be disconnected from the mains.
- All valid safety and accident-prevention regulations must be observed.
- The products should never be inexpertly opened as this poses lethal danger due to electrical shock. Repairs may only be undertaken by the manufacturer.
- DecoLED is dimmable with common phase-cut dimmers; minimum dimmer load has to be respected (see list of recommended dimmers on the next pages).
- The compatibility of the spot with the dimmer has to be confirmed prior to installation
- The photo biological safety of the LED modules is classified into risk groups in accordance with EN 62471: 2008 and IEC TR 62778: risk group 1.

See drawing and cut out on previous page.

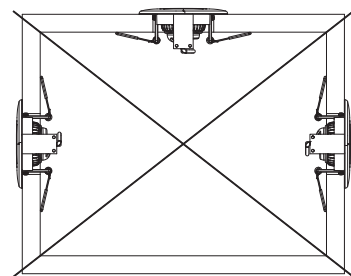
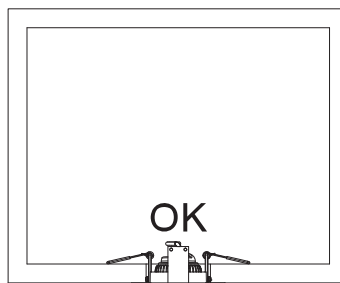
Box dimensions



Assembly



Correct position



The values contained in this data sheet can change due to technical innovations. Any such changes will be made without separate notification.

VS DecoLED – List of tested Dimmers

DecoLED is dimmable with common phase-cut dimmers; minimum dimming load has to be respected.
The compatibility of the spot with the dimmer has to be confirmed prior to installation.

Brand	Model #	Capacity range (W)	Dimmer type	Dimming remarks
Aurora	DSP-250	40–250	Leading-edge	DIM OK
	DSP-400X	60–400	Leading-edge	DIM OK
ABB i-BUS KNX	6197-13-500	10–315	Trailing-edge	DIM OK
Berker	2874	20–525	Trailing-edge	DIM OK (min. 2 lamps)
	2875	60–600	Leading-edge	DIM OK
Busch Jaeger	2200U	60–400	Leading-edge	DIM OK
	2247U	500	Leading-edge	DIM OK (min. 3 lamps)
	2250U	60–600	Leading-edge	DIM OK (min. 2 lamps)
	6523U	2–100	LED Leading-edge	DIM OK
CBI-Electric	D500	500	Trailing-edge	DIM OK (min. 4 lamps)
Clipsal	32E450LM	450	Leading-edge	DIM OK
	32E450TM	450	Trailing-edge	DIM OK
	32E450UDM	450	Universal	DIM OK
	KB31RD400	400	Leading-edge	DIM OK
	S2031RD800WE	800	Leading-edge	DIM OK (min. 2 lamps)
Crabtree	66274	600	Leading-edge	DIM OK (min. 3 lamps)
Elko	315GLE	20–315	Trailing-edge	DIM OK
	400GLi	40–400	Leading-edge	DIM OK (min. 2 lamps)
Eltako	EUR61NPN	400	Universal	DIM OK
Feller	40600.RL	40–600	Leading-edge	DIM OK
	40300.RC	20–300	Trailing-edge	DIM OK (max. 4 lamps)
	40600.RC	20–600	Trailing-edge	DIM OK
	3306 zeptrion	25–420	Universal	DIM OK (3 to 6 lamps)
	3356 zeptrion	25–450	Universal	DIM OK (3 to 6 lamps)
Finder	15.51.8.230.0400	10–400	Trailing-edge	DIM OK (min. 3 lamps)
Gira	2262 00	20–500	Leading-edge	DIM OK (min. 3 lamps)
	0302 00	60–600	Leading-edge	DIM OK (max. 4 lamps)
Govena	PROP400U	40–400	Leading-edge	DIM OK (min. 2 lamps)
Hager	WBMD400LO	40–400	Leading-edge	DIM OK
	ENV012	300	Universal	DIM OK (min. 2 lamps)
Helvar	digiDIM 452	1000	Trailing-edge	DIM OK
HPM Legrand	HPM400LM	10–400	Leading-edge	DIM OK (min. 3 lamps)
	HPM400TM	10–400	Trailing-edge	DIM OK
Intellibus	IB LED 240BP	240	Leading-edge	DIM OK
Jung	225 NV DE	20–500	Leading-edge	DIM OK (min. 2 lamps)
	225 TDE	50–525	Trailing-edge	DIM OK (min. 2 lamps)
Khind	DS2500	500	Leading-edge	DIM OK
Legrand	ADV-ETL4	420	Trailing-edge	DIM OK
Lutron	"Grafik Integrale GXI-3504-T"	40–800	Trailing-edge	DIM OK
Merten	572299	60–600	Leading-edge	DIM OK
	572599	20–500	Leading-edge	DIM OK (min. 2 lamps)
	577199	20–315	Trailing-edge	DIM OK
MelloGlo	DM400	40–400	Leading-edge	DIM OK (min. 4 lamps)
	DM800	250–800	Leading-edge	DIM OK (min. 4 lamps)
MK	K4501LV	40–220	Leading-edge	DIM OK
niko	310-01700	35–320	Trailing-edge	DIM OK
	330-00700	5–350	Universal	DIM OK
PEHA	435 HAN	60–600	Leading-edge	DIM OK (min. 2 lamps)
	435 HAB	20–525	Trailing-edge	DIM OK (max. 5 lamps)

The values contained in this data sheet can change due to technical innovations. Any such changes will be made without separate notification.

Brand	Model #	Capacity range (W)	Dimmer type	Dimming remarks
Philips Dynalite	DDMC802GL-DGLEDM401	4Ch X 1A	Trailing-edge	DIM OK
R&D Electronics	350W RES/350W IND	350	Trailing-edge	DIM OK
Richmond	GRID 500	40-500	Leading-edge	DIM OK (min. 2 lamps)
Veti	V4014PWT	400	Trailing-edge	DIM OK (min. 4 lamps)
	V4018PWT	800	Trailing-edge	DIM OK (min. 4 lamps)
Vossloh Schwabe	554591	250	Phase-cut	DIM OK (min. 2 lamps)
	554592	500	Phase-cut	DIM OK (min. 2 lamps)
	186607	3-300	Trailing-edge (digital)	DIM OK (min. 2 lamps)
	186608	3-300	Trailing-edge (digital) Bluetooth	DIM OK (min. 2 lamps)

The values contained in this data sheet can change due to technical innovations. Any such changes will be made without separate notification.