

CC STREET &
INDUSTRY
SIMPLE FIX
DIMMABLE



ComfortLine SIMPLE FIX I-HSP DALI

186299, 186300, 186303, 186304

Typical Applications

Built-in in linear luminaires for

- Industry lighting



ComfortLine Simple Fix I-HSP DALI

- **DIMMABLE: DALI (ED. 1) AND PUSH KEY**
- **VERY LOW RIPPLE CURRENT: < 3%**
- **SURGE PROTECTION: UP TO 3 KV**
- **SUITABLE FOR EMERGENCY ESCAPE LIGHTING SYSTEMS ACC. TO EN 50172**
- **WITH INTEGRATED CORD GRIP FOR INDEPENDENT OPERATION**
- **LONG SERVICE LIFE: UP TO 100,000 HRS.**
- **PRODUCT GUARANTEE: 5 YEARS**



ComfortLine Simple Fix I-HSP DALI

Product features

- Compact metal casing shape for built-in operation or plastic casing with integrated cord grip for independent operation.

Functions

- With 12 V interface: max. 2 W

Electrical features

- Mains voltage: 220–240 V $\pm 10\%$
- Mains frequency: 50–60 Hz
- DC operation: 198–264 V, 0 Hz (can be reduced to 176 V with reduced service life time)
- Push-in terminals: 0.2–1.5 mm²
- Power factor at full load: > 0.95
- Max. working voltage (U_{OUT}): 450 V
- Secondary side switching of LED modules is not allowed.
- Standby losses: < 0.5 W

Dimming

- Dimming range: 3 to 100%
- If no dimming interface is connected, brightness will stay at 100%.

Safety features

- Electronic short-circuit protection
- Overload protection
- Overtemperature protection
- The LEDs are thermally protected by the driver's NTC interface, which ensures the current will be reduced when a critical temperature is reached.

NTC at LED module 10 k Ω

(Type Nurata NCP18XH103J03RB)

R (k Ω) Nominal current (%)

10 100

< 1.49 60

< 1.13 0 (off)

- Protection against "no load" operation
- Degree of protection: IP20
- Protection class I



Packaging units

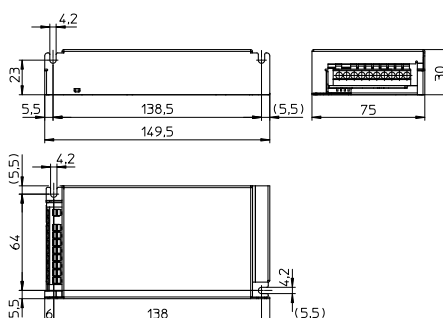
Ref. No.	Packaging unit		
	Pieces per box	Boxes per pallet	Weight g
186299, 186303	12	60	288
186300, 186304	7	75	335

Applied standards

- EN 61347-1
- EN 61347-2-13
- EN 61547
- EN 61000-3-2
- EN 62384
- EN 62386
- EN 55015

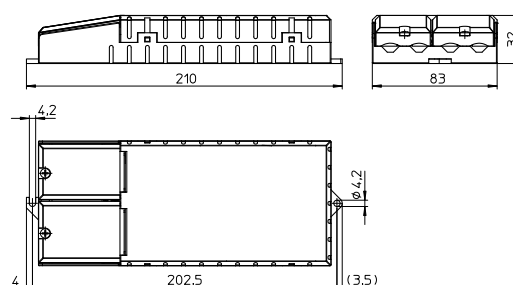
Dimensions built-in driver

- Casing: M36
- Ref. No.: 186299, 186303
- Length: 149.5 mm
- Width: 75 mm
- Height: 30 mm



Dimensions independent driver

- Casing: K38
- Ref. No.: 186300, 186304
- Length: 210 mm
- Width: 83 mm
- Height: 32 mm



Dimming

PMW



Product guarantee

- 5 years
- The conditions for the Product Guarantee of the Vossloh-Schwabe Group shall apply as published on our homepage (www.vossloh-schwabe.com). We will be happy to send you these conditions upon request.

The values contained in this data sheet can change due to technical innovations. Any such changes will be made without separate notification.

LED Drivers – ComfortLine Simple Fix I-HSP DALI

Electrical characteristics

Max. output W	Type	Ref. No.	Voltage 50–60 Hz V	Mains current mA	Inrush current A / μ s	Current output DC mA (\pm 5%)	Voltage output DC (V)	THD at full load % (230 V)	Efficiency at full load % (230 V)	Ripple 100 Hz %
M36 – Built-in										
112	ECXd 700.058	186299	198–264	595–445	63 / 145	700	85–160	> 20	> 91	< 1
			220–240	550–510						
126	ECXd 1050.060	186303	198–264	660–495	63 / 145	1050	85–120	> 20	> 91	< 2
			220–240	630–590						
K38 – Independent										
112	ECXd 700.058	186300	198–264	595–445	63 / 145	700	85–160	> 20	> 91	< 1
			220–240	550–510						
126	ECXd 1050.060	186304	198–264	660–495	63 / 145	1050	85–120	> 20	> 91	< 2
			220–240	630–590						

Maximum ratings

Exceeding the maximum ratings can lead to reduction of service life or destruction of the drivers.

Ref. No.	Ambient temperature range		Operation humidity range		Storage temperature range		Storage humidity range		Max. operation temperature at t_c point °C	Degree of protection
	°C min.	°C max.	% min.	% max.	°C min.	°C max.	% min.	% max.		
186299	-25	+50	20	60	-40	+80	5	95	+70	IP20
186303									+75	
186300									+80	
186304									+90	

Expected service life time

at operation temperatures at t_c point

Operation current	Ref. No.							
	186299		186303		186300		186304	
All	60 °C	70 °C	65 °C	75 °C	70 °C	80 °C	80 °C	90 °C
hrs.	100,000	50,000	100,000	50,000	100,000	50,000	100,000	50,000

The values contained in this data sheet can change due to technical innovations. Any such changes will be made without separate notification.