

CC STREET &
INDUSTRY
SIMPLE FIX
DIMMABLE



COMFORTLINE SIMPLE FIX S-LV 1-10 V IP

186316

Typical Applications

Built-in in luminaires for

- Street lighting

1-10V



ComfortLine Simple Fix S-LV 1-10 V IP

- **DEGREE OF PROTECTION: IP67**
- **DIMMABLE: 1-10 V**
- **SURGE PROTECTION: UP TO 6 KV**
- **PREASSEMBLED CONNECTION LEADS**
- **SELV**
- **LONG SERVICE LIFE:
UP TO 100,000 HRS.**
- **PRODUCT GUARANTEE: 5 YEARS**



ComfortLine Simple Fix S-LV 1–10 V IP

Product features

- Linear casing shape

Electrical features

- Mains voltage: 220–240 V $\pm 10\%$
- Mains frequency: 50–60 Hz
- Pre-assembled connection leads
primary: 2x0.75 mm², length: 300 mm
secondary: 6x0.75 mm², length: 300 mm
- Power factor at full load: > 0.96
- Open circuit voltage (U_{max.}): 60 V
- Secondary side switching of LED modules is not allowed.

Dimming

- Dimming range: 10 to 100%
- If no dimming interface is connected, brightness will stay at 100%.

Safety features

- Protection against transient main peaks up to 6 kV (between L and N)
- Electronic short-circuit protection
- Overload protection
- Protection against "no load" operation
- Degree of protection: IP67
- Protection class II
- SELV

Packaging units

Ref. No.	Packaging unit		
	Pieces per box	Boxes per pallet	Weight g
186316	10	48	700

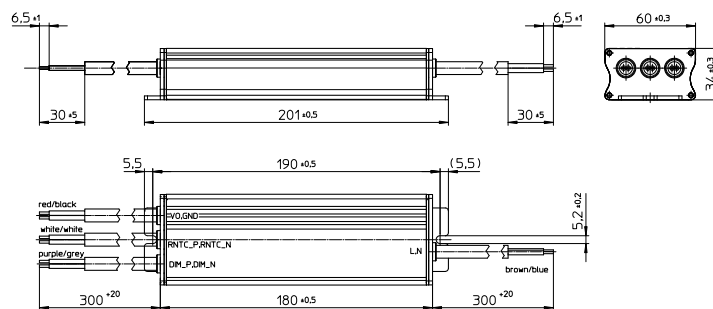


Applied standards

- EN 61347-1
- EN 61347-2-13
- EN 61547
- EN 61000-3-2
- EN 61000-3-3
- EN 61000-4-5
- EN 62384
- EN 55015

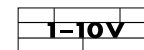
Dimensions

- Casing: M57
- Length: 201 mm
- Width: 60 mm
- Height: 34 mm



Dimming

Analogue



Product guarantee

- 5 years
- The conditions for the Product Guarantee of the Vossloh-Schwabe Group shall apply as published on our homepage (www.vossloh-schwabe.com). We will be happy to send you these conditions upon request.

The values contained in this data sheet can change due to technical innovations. Any such changes will be made without separate notification.

Electrical characteristics

Max. output W	Type	Ref. No.	Voltage 50–60 Hz V	Mains current mA	Inrush current A / μ s	Current output DC mA (\pm 5%)	Voltage output DC (V)	THD at full load % (230 V)	Efficiency at full load % (230 V)	Ripple 100 Hz %
60	ECXd 1050.069	186316	220–240	310–280	35 / 200	1050	28–57	10	> 88	< 15

Maximum ratings

Exceeding the maximum ratings can lead to reduction of service life or destruction of the drivers.

Ref No.	Ambient temperature range		Operation humidity range		Storage temperature range		Storage humidity range		Max. operation temperature at t_c point °C	Degree of protection
	°C min.	°C max.	% min.	% max.	°C min.	°C max.	% min.	% max.		
186316	-40	+50	5	90	-40	+85	5	95	+80	IP67

Expected service life time

at operation temperatures at t_c point

Operation current	Ref. No.	
1050 mA	70 °C	80 °C
hrs.	100,000	50,000

The values contained in this data sheet can change due to technical innovations. Any such changes will be made without separate notification.