

CC COMPACT ROTARY SWITCH DIMMABLE



COMFORTLINE ROTARY SWITCH C-HSP 1-10 V

186208, 186581

Typical Applications

Built-in in compact luminaires for

- Industry lighting
- Street lighting

1-10V

ComfortLine Rotary switch C-HSP 1-10 V

- **SELECTABLE OUTPUT CURRENT VIA ROTARY SWITCH**
- **DIMMABLE: 1-10 V**
- **VERY LOW RIPPLE CURRENT: < 3%**
- **SURGE PROTECTION: UP TO 2 KV**
- **SUITABLE FOR EMERGENCY ESCAPE LIGHTING SYSTEMS ACC. TO EN 50172**
- **SELV**
- **LONG SERVICE LIFE: UP TO 100,000 HRS.**
- **PRODUCT GUARANTEE: 5 YEARS**



ComfortLine Rotary switch C-HSP 1–10 V

Product features

- Compact casing shape

Functions

- The dial can be used to set the current output for 186581: 350 mA (1), 500 mA (2), 600 mA (3) or 700 mA (4) and for 186208: 900 mA (1), 1050 mA (2), 1200 mA (3) or 1400 mA (4).

Electrical features

- Mains voltage: 220–240 V ±10%
- Mains frequency: 50–60 Hz
- DC operation: 198–264 V, 0 Hz (186208), 176–264 V, 0 Hz (186581)
- Push-in terminals: 0.2–1.5 mm² (NTC interface: 0.2–0.5 mm²)
- Power factor at full load: > 0.95
- Open circuit voltage (U_{max}): 52 V (186208) or 60 V (186581)
- Secondary side switching of LED modules is not allowed.
- Standby losses: < 0.5 W

Dimming

- Dimming range: 3 to 100%
- If no dimming interface is connected, brightness will stay at 100%.

Safety features

- Electronic short-circuit protection
- Overload protection
- The LEDs are thermally protected by the driver's NTC interface, which ensures the current will be reduced when a critical temperature is reached.

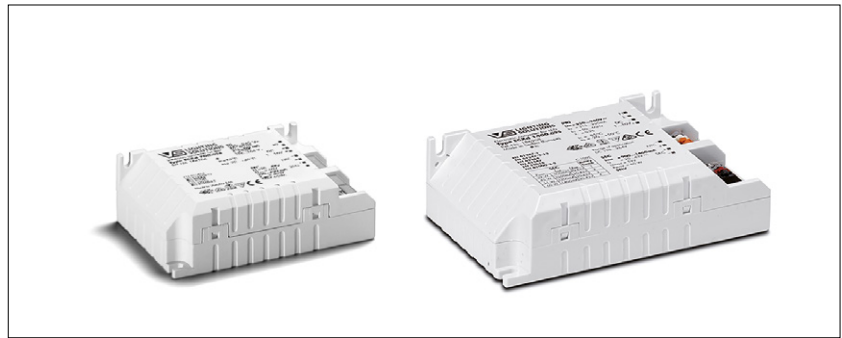
NTC at LED module 10 kΩ

(Type Nurata NCP18XH103J03RB)

R (kΩ) | Nominal current (%)

34	100
27	60
16	0 (off)

- Protection against "no load" operation
- Degree of protection: IP20
- Protection class I
- SELV

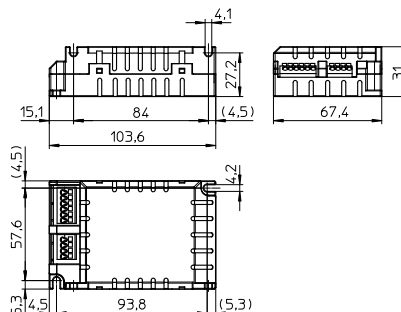


Packaging units

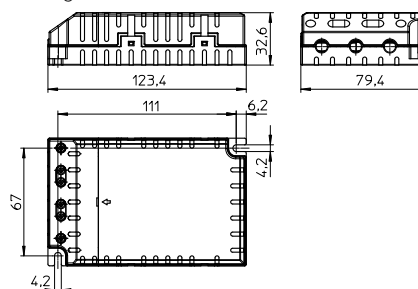
Ref. No.	Packaging unit		
	Pieces per box	Boxes per pallet	Weight g
186208	12	75	230
186581	15	80	190

Dimensions

- Casing shape: K2
- Ref. No.: 186581
- Length: 103.6 mm
- Width: 67.4 mm
- Height: 31 mm



- Casing shape: K3
- Ref. No.: 186208
- Length: 123.4 mm
- Width: 79.4 mm
- Height: 33 mm



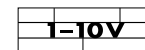
Applied standards

- EN 61347-1
- EN 61347-2-13
- EN 61547
- EN 61000-3-2
- EN 62384
- EN 55015



Dimming

PMW



Product guarantee

- 5 years
- The conditions for the Product Guarantee of the Vossloh-Schwabe Group shall apply as published on our homepage (www.vossloh-schwabe.com). We will be happy to send you these conditions upon request.

The values contained in this data sheet can change due to technical innovations. Any such changes will be made without separate notification.

Electrical characteristics

Max. output W	Type	Ref. No.	Voltage 50–60 Hz V	Mains current mA	Inrush current A / μ s	Current output DC mA (+5/–10%)	Voltage output DC (V)	THD at full load % [230 V]	Efficiency at full load % [230 V]	Ripple 100 Hz %
19.95 / 28.5 / 34.2 / 39.9	ECXd 700.024	186581	176–264	265–175	5.3 / 54.5	350 /	20–57	< 7	> 85	< 1
			220–240	220–200		500 / 600 / 700				
38.7 / 45.1 / 51.6 / 60.2	ECXd 1400.025	186208	198–264	315–290	8.2 / 148	900 /	20–43	< 10	> 85	< 3
			220–240	350–265		1050 / 1200 / 1400				

Maximum ratings

Exceeding the maximum ratings can lead to reduction of service life or destruction of the drivers.

Ref. No.	Ambient temperature range		Operation humidity range		Storage temperature range		Storage humidity range		Max. operation temperature at t_c point °C	Degree of protection
	°C min.	°C max.	% min.	% max.	°C min.	°C max.	% min.	% max.		
186581	-20	+50	20	60	-40	+80	5	95	+80	IP20
186208									+85	

Expected service life time

at operation temperatures at t_c point

Operation current	Ref. No.			
	186581	186208		
All	70 °C	80 °C	75 °C	85 °C
hrs.	100,000	50,000	100,000	50,000

The values contained in this data sheet can change due to technical innovations. Any such changes will be made without separate notification.