

## ACTIVELINE HALO



### CONVENIENT LED TECHNOLOGY

The Activeline HALO is a perfect replacement for halogen lamps due to the same dimensions and the same illumination behaviour of halogen lamps. When it is dimmed down the colour temperature shift from 3000 K to 2000 K.

They are ideal for applications like residential, restaurants or wellness.

The profiled reflector with the same design of MR16 lamps is ideal to replace halogen with LED technology and keep existing luminaire's design.

The reflectors offer an homogeneous light distribution.

#### ActiveLine series

- Replacement for halogen lamps up to 75 W (MR16)
- Reflector or optics for homogeneous light distribution

#### Typical applications for LEDSpots

- Replacement of MR16 lamps
- Integration in luminaires (except PRO series)
- Retail lighting
- Marking paths, stairs, etc.
- Furniture lighting (IP54 version for humid rooms)
- Entertainment
- Small downlights



## LEDSpot ActiveLine HALO (3000–2000 K)

**Built-in LEDSpot equipped with a reflector, heat sink, leads and plug**

### Technical Notes

Reflector: Ø 50 mm

Heat sink material: aluminium

Allowed operating temperature at  $t_c$  point: -40 to 85 °C

Lumen maintenance:

L90/B50; 50,000 hrs. at 70 °C

Temperature depends on installation situation and

has to be checked by the luminaire manufacturer.

Colour accuracy initially: 3 SDCM

Use of external LED constant-current drivers

With analogue dimming function (no PWM)

Plastic opaque cover to protect reflector

(clear cover on request)

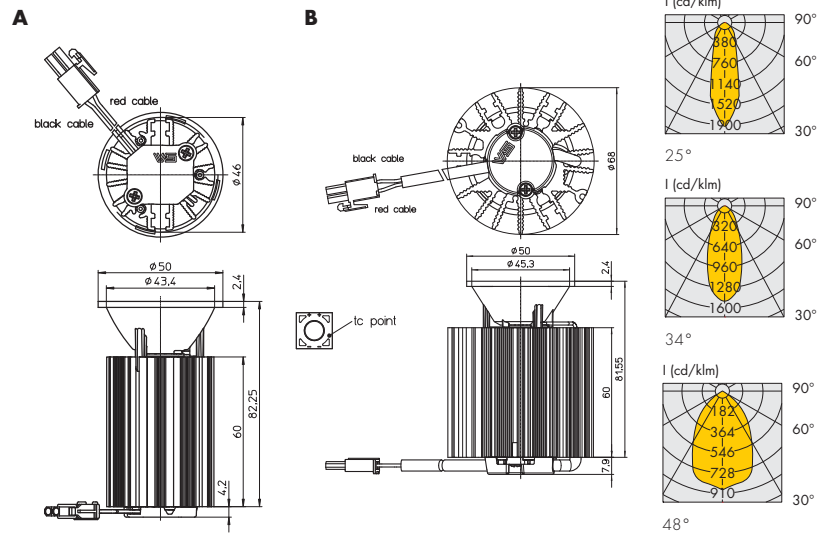
Leads: Cu tinned, stranded conductors AWG22,

PVC-insulation, length: 200 mm, with plug

With integrated cord grip

Weight: 145/260 g (A/B)

Packaging unit: 45/24 pcs. (A/B)



### Electrical characteristics

at  $t_f = 25$  °C

Type	Ref. No.	Voltage DC* (V)						Power consumption* (W)					
		50 mA			350 mA			50 mA			350 mA		
		min.	typ.	max.	min.	typ.	max.	min.	typ.	max.	min.	typ.	max.
ActiveLine HALO 6.6 W	<b>all</b>	12	14.3	15.6	17.5	18.8	20.5	0.6	0.72	0.78	6.2	6.6	7.2
ActiveLine HALO 12.8 W	<b>all</b>	26.4	31	34.1	31	36.5	40.2	1.3	1.6	1.7	10.9	12.8	14.1

### Optical characteristics

Type	Ref. No.	Colour	Typ. luminous flux* (lm) and correlated colour temperature (K)		Light intensity at max. current Candela	Beam angle °	CRI $R_a$	Drawing	Energy efficiency at max. current
			50 mA lm/K	350 mA lm/K					
<b>ActiveLine HALO 6.6 W</b>			$P_{el} = 0.7$ W; $V_f = 14.3$ V		$P_{el} = 6.6$ W; $V_f = 18.8$ V				
ActiveLine HALO 6.6 W	<b>561865</b>	warm white	46lm/2000K	525lm/2800K	1000	25	90	A	A+
ActiveLine HALO 6.6 W	<b>561866</b>	warm white	45lm/2000K	515lm/2800K	775	34	90	A	A+
ActiveLine HALO 6.6 W	<b>561867</b>	warm white	47lm/2000K	530lm/2800K	480	48	90	A	A+
<b>ActiveLine HALO 12.8 W</b>			$P_{el} = 1.6$ W; $V_f = 31$ V		$P_{el} = 12.8$ W; $V_f = 36.5$ V				
ActiveLine HALO 12.8 W	<b>559962</b>	warm white	93lm/2000K	890lm/3000K	1800	25	90	B	A
ActiveLine HALO 12.8 W	<b>559963</b>	warm white	91lm/2000K	870lm/3000K	1300	34	90	B	A
ActiveLine HALO 12.8 W	<b>559645</b>	warm white	95lm/2000K	900lm/3000K	835	48	90	B	A

Versions with white reflector for extra wide beam angle on request | \* Production tolerance of luminous flux, voltage and power consumption:  $\pm 10\%$

The values contained in this data sheet can change due to technical innovations. Any such changes will be made without separate notification.

## LED Driver

You will find more information about our LED drivers on our website: [www.vossloh-schwabe.com](http://www.vossloh-schwabe.com)

Capacity range W	Output current DC mA	Output voltage DC V	Ref. No.	Version	Current setting	Dimming	Max. service life time (hrs.)	Dimensions mm (LxVxH)
18	350	32-52	<b>186415</b>	Easyline	–	C	50,000	153x41.4x32

Just for Activeline HALO 12 W

Please ensure you choose the correct LED driver for the module in question and that the respective output parameters (current, voltage, wattage) are correct.

The values contained in this data sheet can change due to technical innovations. Any such changes will be made without separate notification.